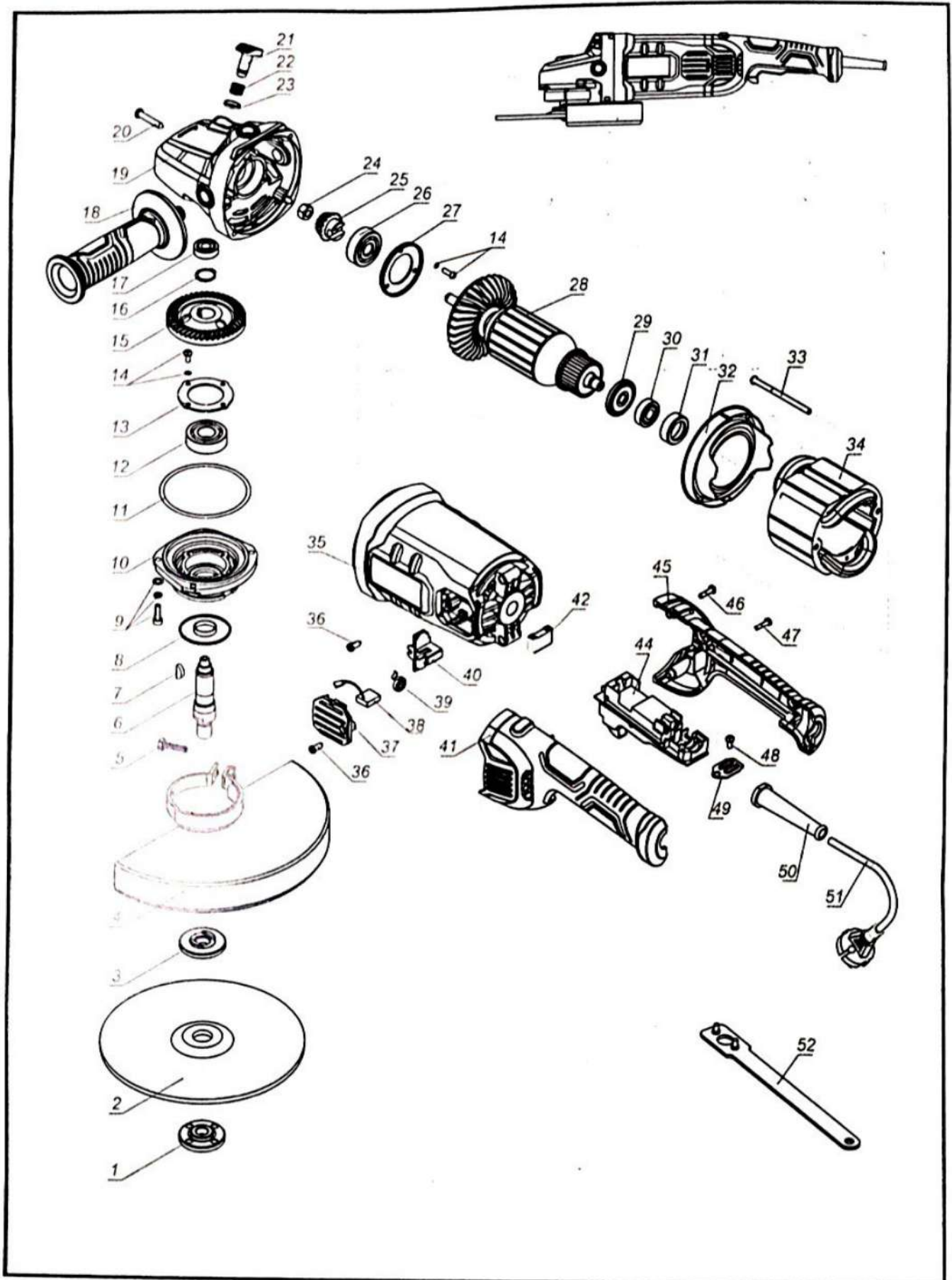


PMAG180-30HD & PMAG230-30HD



**PMAG180-30HD & PMAG230-30HD 180mm & 230mm
Angle Grinder Spares Price List**



Position No	Part code	Description	Price List
1	01PMAG18030HD	Outer Flange	
3	03PMAG18030HD	Inner Flange	
4	04PMAG23030HD	Wheel cover 180mm	
4	04PMAG18030HD	Wheel cover 230mm	
5	05PMAG18030HD	Screw,M8X25	
6	06PMAG18030HD	Spindle	
7	07PMAG18030HD	Key,4*5*13	
8	08PMAG18030HD	Anti-dust cover	
9	09PMAG18030HD	Screw M5x14	
10	10PMAG18030HD	Bearing box	
11	11PMAG18030HD	O ring ϕ 78*1.9	--
12	12PMAG18030HD	Bearing 6203-2RS	
13	13PMAG18030HD	Bearing clamp	
14	14PMAG18030HD	Screw M4x12	
16	16PMAG18030HD	circlip 17	--
17	17PMAG18030HD	Bearing 609-2Z	
18	18PMAG18030HD	Side handle-Normal	
19	19PMAG18030HD	Gear box	
20	20PMAG18030HD	Screw ST4.8X35F	--
24	24PMAG18030HD	Screw M8	
26	26PMAG18030HD	Bearing 6301-2RS-NSK	
27	27PMAG18030HD	Bearing cover	
28	28PMAG18030HD	Armature	
29	29PMAG18030HD	Dust ring	
30	30PMAG18030HD	Bearing 6000-2RS	
31	31PMAG18030HD	Bearing sleeve	
32	32PMAG18030HD	Wind baffle	
33	33PMAG18030HD	Screw ST4.8x75F	
34	34PMAG18030HD	Stator	
35	35PMAG18030HD	Motor housing	
36	36PMAG18030HD	Screw ST4.2X12	
37	37PMAG18030HD	Brush cap	--
38	38PMAG18030HD	Carbon brush	
39	39PMAG18030HD	Coil spring	
40	40PMAG18030HD	Brush holder	
41	41PMAG18030HD	Left handle	
42	42PMAG18030HD	Capacitor 0.33uf	

**PMAG180-30HD & PMAG230-30HD 180mm & 230mm
Angle Grinder Spares Price List**



Position No	Part code	Description	Price List
44	44PMAG18030HD	Switch	
45	45PMAG18030HD	Right handle	
46	46PMAG18030HD	Screw ST4.2X25F	
47	47PMAG18030HD	Screw ST4.2X16F	
48	48PMAG18030HD	Screw ST4.2X14F	
49	49PMAG18030HD	Cord clamp	
50	50PMAG18030HD	Cord guard	
51	51PMAG18030HD	2x1.5mm ² cable	
52	52PMAG18030HD	Spanner	
201	201PMAG18030HD	Gear and Pinion for PMAG18030HD	
201	201PMAG23030HD	Gear and Pinion for PMAG23030HD	
301	301PMAG23030HD	Locking Set for PMAG180-30 & PMAG230-30	