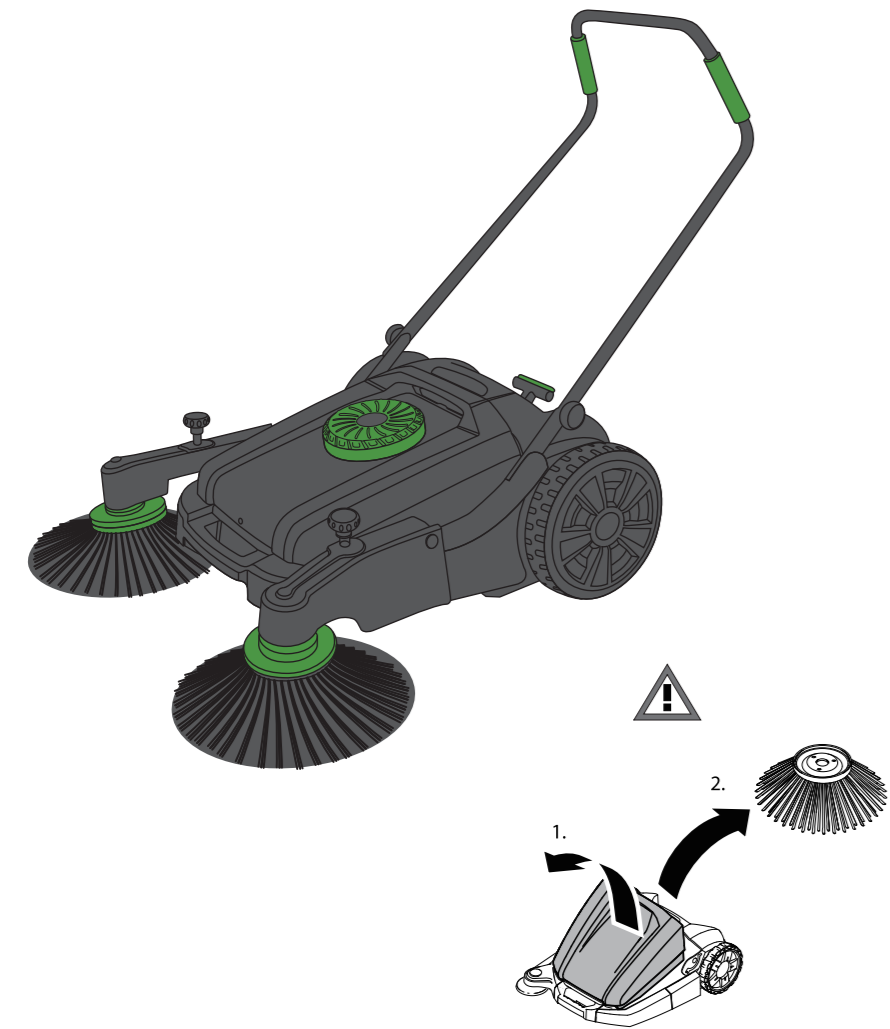


SWEEPER OPERATOR MANUAL



SWEEPER OPERATOR MANUAL

Proper use

This sweeper has been designed to sweep dirt and debris from outdoor surfaces. This appliance is designed for domestic use only.

Owner/User Responsibility

The owner and/or user must have an understanding of the manufacturer's operating instructions and warnings before using this pressure washer.

Warning information should be emphasized and understood.

If the operator is not fluent in English, the manufacturer's instructions and warnings shall be read to and discussed with the operator in the operator's native language by the purchaser/owner, making sure that the operator comprehends its contents.

Owner and/or user must study and maintain for future reference the manufacturer's instructions.

For household use only!

Assembly

See page 2.

Operation

Warning
Risk of being squeezed or hurt at the belts, side-brushes, containers, pushing handle.

See page 3.

Storing the appliance

See page 3.

Maintenance

The appliance is maintenance-free.

Spare parts

The appliance may only be equipped with original accessories and spare parts.

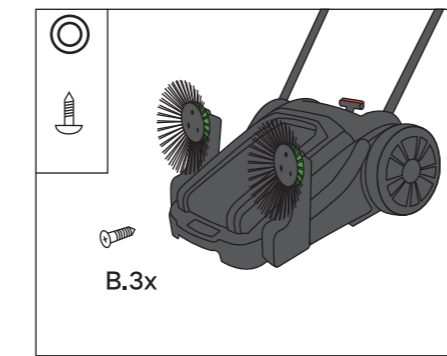
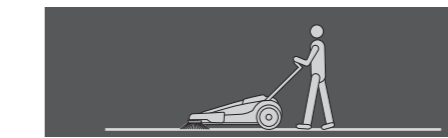
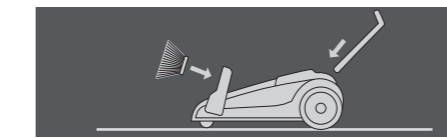
At the end of the operating instructions you will find a selected list of spare parts that are often required.

For additional information about spare parts, please go to the Service section at www.kaercher.com.

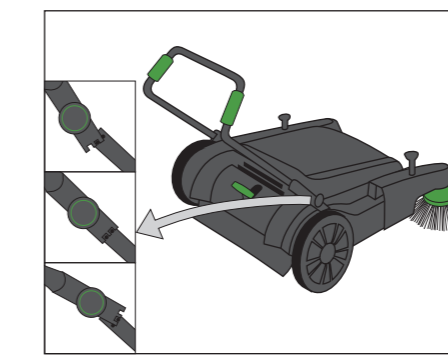
IMPORTANT SAFETY INSTRUCTIONS

- The machine may not be used or stored in hazardous areas. It is not allowed to use the appliance in hazardous locations.
- The machine with working equipment must be checked to ensure that it is in proper working order and is operating safely prior to use. Otherwise, the appliance must not be used.
- The appliance is not suitable for sweeping off hazardous substances.
- The appliance is not suitable for sweeping off liquids.
- Please do not sweep away any burning substances such as cigarettes, match sticks or similar objects.
- Please wear safety gloves while removing glass, metal or other materials from the waste container.
- Never sweep off explosive liquids, combustible gases or undiluted acids and solvents. This includes petrol, paint thinner or heating oil which can generate explosive fumes or mixtures upon contact with the air. Acetone, undiluted acids and solvents must also be avoided as they can harm the materials on the machine.
- The operator must use the appliance properly. He must consider the local conditions and must pay attention to third parties, in particular children, when working with the appliance.
- This device is not intended for use by persons (including children) with reduced physical, sensory or mental abilities or lacking experience and/or knowledge, unless they are supervised by a person responsible for their safety or are instructed by these persons on the use of the device. Children should be supervised, to ensure that they do not play with the device.

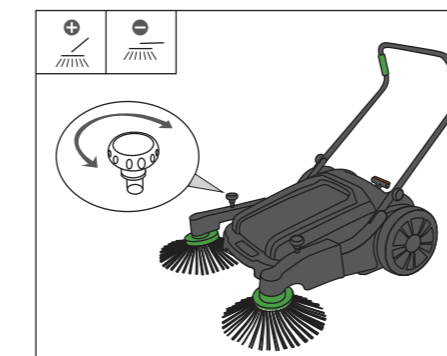
SAVE THESE INSTRUCTIONS!



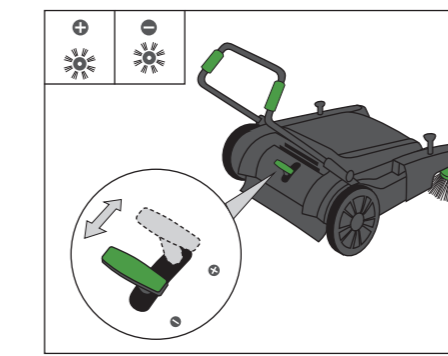
Front Brush Tighted With Three Screws



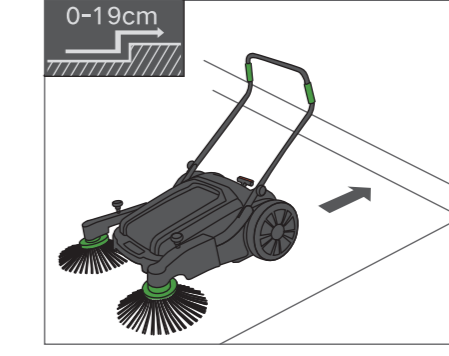
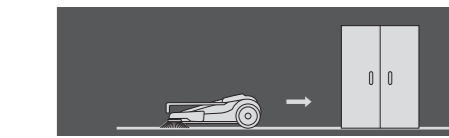
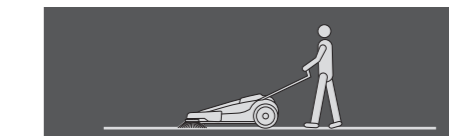
Handle Desinged With Three Angle Adjustments



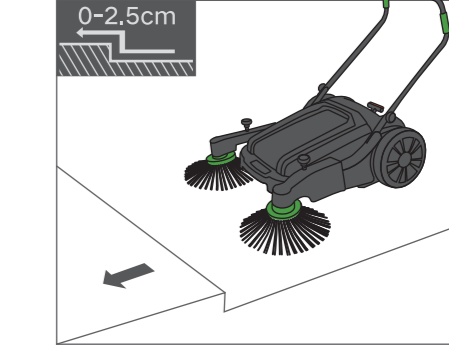
Front Brush Adjust Knob
Turn "+" to Low Front Brush
Turn "-" to Rise Front Brush



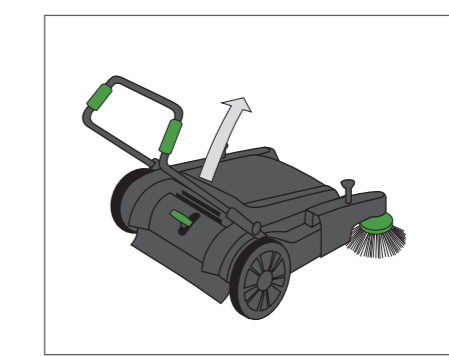
Main Brush Height Adjust Handle
Pull "+" Direction to Low Main Brush
Push "-" Direction to Rise Main Brush



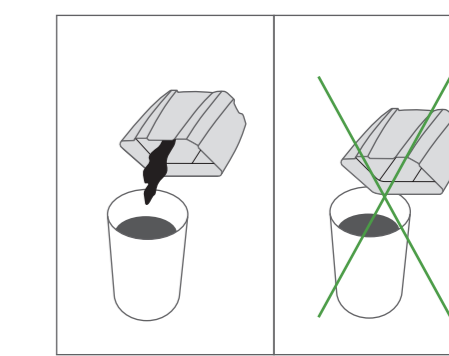
When Move Backward, Make Sure The Step Height No More Than 19Cm



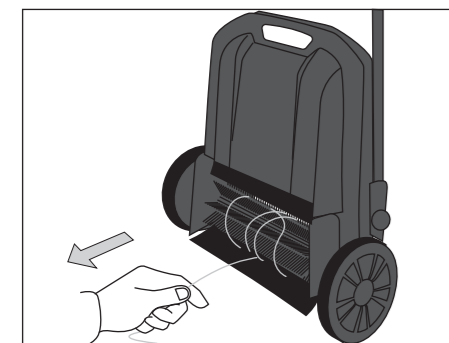
The Sweeping Groud Height Difference Should Within 2.5Cm



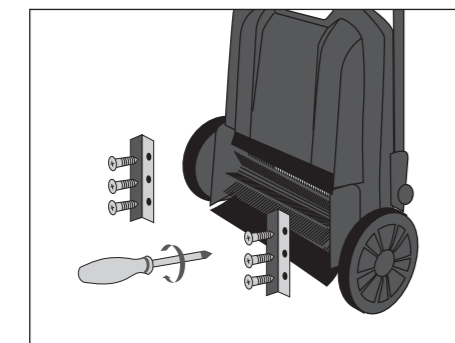
Hold The Handle And Lift Up To Disassemble The Garbage



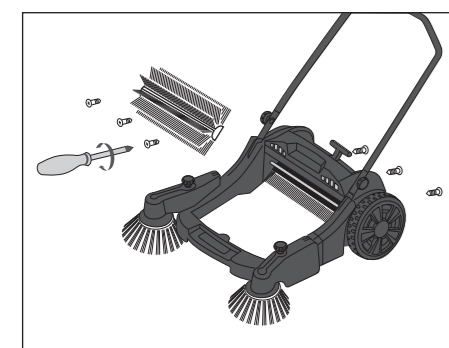
Along The Side Of Garbage To Emptying The Garbage
Avoid Jogging The Garbage



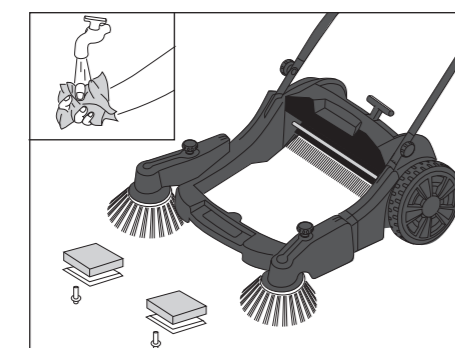
Reverse The Main Brush To Take Out The Trash When Twined



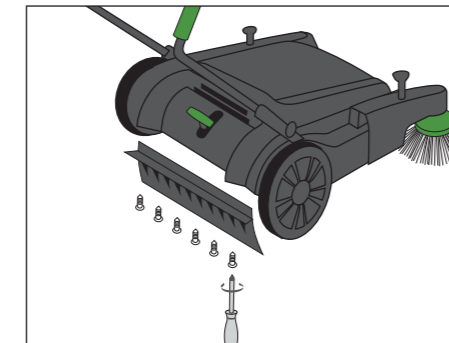
Assemble Dust Guard Plate Down Sides The Main Brush



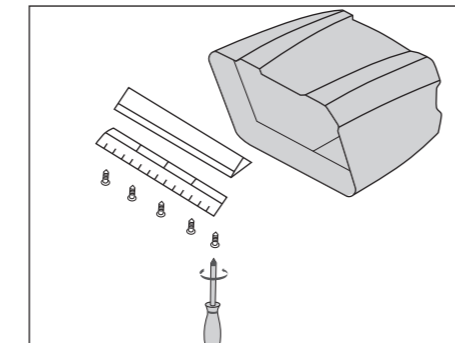
Assemble And Disassemble Main Brush
Main Brush Consist Of Two Parts, Each Tighted With Three Screws



Clear The Exhaust Holes Sponges Regularly

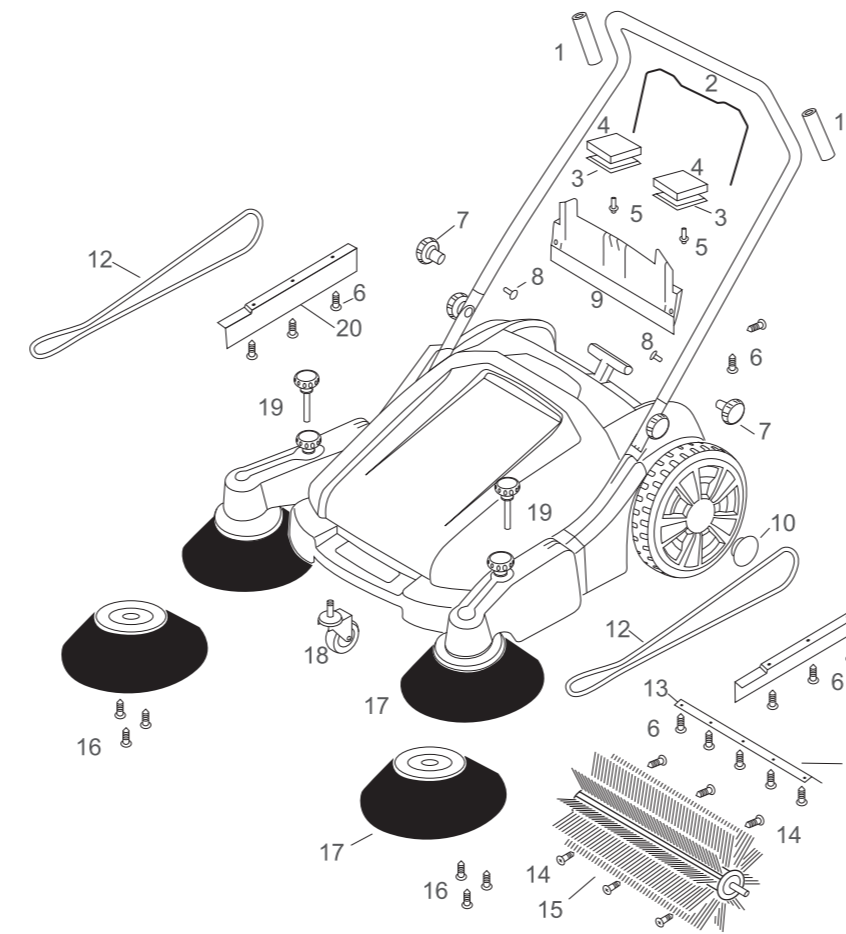


The Main Brush Backside Dust Guard Plate Assembling

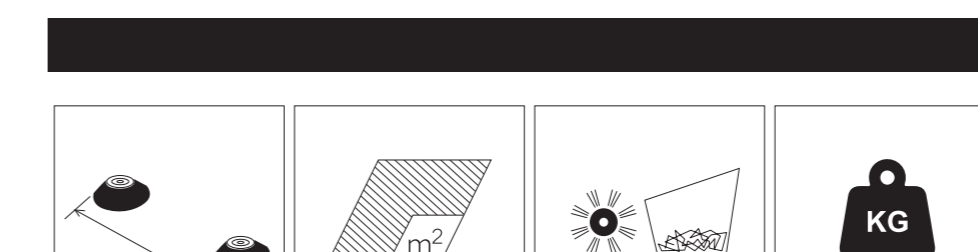


Assemble Garbage Seal Baffle

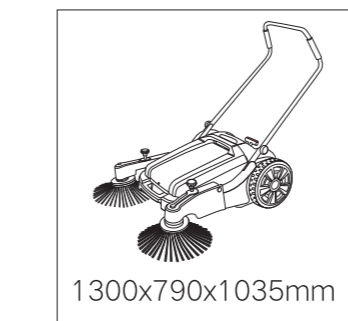
Warning Please Only Process The Above Operations After Reading The Instructions Carefully And Accompanied by professional. Machine failure and damage due to improper use and maintenance Will Not Be Covered By Warranty.



- | | | |
|--------------------|---------------------|--------------------|
| 1.Handle Soft Roll | 8.Screw M8X25 | 15.Main Brush Set |
| 2.Sealing Strip | 9.Fender | 16.Screw ST4.8X22 |
| 3.Sponge Cover | 10.Tier Cover | 17.Front Brush |
| 4.Sponge | 11.Fender | 18.Adjust Knob |
| 5.Screw | 12.Drive Belt | 19.Adjust Knob Set |
| 6.Screw ST4.8X16 | 13.Dustproof Sponge | 20.Fender |
| 7.Handle | 14.Screw ST4.8X32 | |



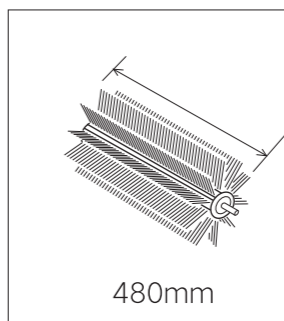
980mm Max.Operating Width
3680m²/h Area Swept
55L Container Capacity
20kg Gross Weight



1300x790x1035mm Unfold Size



890x790x385mm Foldsize



480mm Main Brush Width