

Polymak[®]

Polymak Tools(India)Pvt.Ltd

186/187, P.H Road, Alsa Towers, Kilpauk,
Chennai-600 010,

Tel. :+91-44-48631869

E-mail :info@polymak.co.in

Visit us at :www.polymak.co.in

Polymak[®]

ACC BLOCK CUTTER

PM-AAC-250

INSTRUCTION MANUAL



Read and follow all safety precautions in instruction manual.

Safety mark annotation



Please read the manual carefully before using!



Don't expose the tools in the rain



If the power supply is damaged or cut off, be sure to unplug the power plug immediately.

Safety precautions

Warning! Please read the instructions carefully before use. Basic safety precautions must be taken to reduce the risk of electric shock, fire or serious injury.

- 1) Work area
 - a) Chaos and darkness can cause accidents.
 - b) Spark generated electric chain saws may ignite dust or gas.
 - c) Lack of concentration can make people lose control on it.
- 2) Electrical safety
 - a) Plug and socket without modification will reduce the risk of electric shock
 - b) Body grounding will increase the risk of electric shock.
 - c) The risk of electric shock is increased when water enters the power tool.
 - d) Damage to the power cord or winding will increase the risk of electric shock.
 - e) The use of an outdoor cable / wire can reduce the risk of electric shock.
- 3) Personal safety
 - a) When operating a power tool, an inattentive will cause serious personal injury.
 - b) Use of a mask, non slip safety shoes, hard hats, or hearing protection devices on appropriate occasions can reduce personal injury.
 - c) When taking power tools, If the finger is placed on the switch or the power tool is plugged into the power supply, it may cause the switch to turn on to cause an accident.
 - d) A wrench or key left on the rotating part of the power tool may cause personal injury.
 - e) This is conducive to better control of electric tools in unexpected situations.
 - f) Loose clothing, jewelry, or long hair may be caught by moving parts.
 - g) The use of these devices can reduce harmful dust.
- 4) Keep all parts of the body away from the chain saw when operating the chain saw. Make sure the chain saw does not touch other objects before starting the chain saw. The imprudence in operating may wrap your clothes or body into the chain saw.

5) Always hold the handle of the chain saw with the right hand, the left hand shall hold the front handle. Hold the chain saw backhand will increase the risk of personal injury, which should be absolutely prohibited.

Notes: For chain saw on the left side of the guide plate design, the "left" and "right" positions should be reversed.

6) Wear safety goggles and ear protector. Protective equipment for head, hands, feet and feet are recommended to provide, the adequate protection can reduce the damage caused by flying debris or accidental contact with saw chain.

7) Don't stand on the tree to operate the chain. For such operation will cause personal injury.

8) Always maintain a good foothold, and only when standing on a solid, safe and flat ground, can the chain saws be operated. For slippery or unstable ground, such as a ladder, it will lead to loss of balance or chain saws out of control.

9) Watch out for a rebound when the sawing a taut branch. When wood fiber tension once released, crotch elastic may strike to the operator or cause the chain out of control.

10) Special care should be taken when cutting shrubs and saplings. Strips may be clamped to the operator or cause unbalance.

11) Turn off the saw chain with the front handle and keep the chain away from your body. Guide guard shall be installed when transporting or storing chain saws, and the possibility of accidental encounter with the chain saw can be reduced by properly setting the chain.

12) Follow the instructions to lubricate, tighten the chain and replace the attachment. Improper tensioning and lubrication of the saw chain may break the chain and cause the possibility of rebound.

13) Keep handle dry, clean and away from oil and grease. For the greasy handle may cause slippage and out of control.

The saw can only be used for sawing timber but cannot be used for other purposes, for example, cutting plastic, stone and non wood building materials. Unintended operations with chain can cause danger.

Causes of rebound and operator protection:

When the front or top of the guide plate touches the objects, or clamping the chain saw, it may rebound.

In some cases, a sudden reaction caused by top contact will throw the guide up or backward to the operator.

Clipping chain saw along the top of the guide plate will quickly push the guide to the operators.

Each of these reactions will lead to the loss of chain saws to cause serious bodily harm. Do not rely solely on the built-in safety device. As chainsaw users, steps should be taken to ensure that the chain does not have an accident or injury.

Misuse and / or incorrect operation procedures or conditions are reasons to cause rebound, the following preventive measures are given to avoid.

Keep a firm grip, hold the chain saw handle with your thumb and other fingers, position your body and arm with the two hands holding the chain saw to make sure you are able to withstand the bounce. If proper precautions are taken, the rebound force can be controlled by the operator. Don't allow chain saws to run.

14) Do not stretch your hands too long and do not use it above the shoulders. This helps prevent accidental contact with the top and is better able to control the chain under unexpected circumstances.

15) Use the manufacturer's replacement guide and chain only. Incorrect guide plate and chain may cause broken chain or / rebound. Follow manufacturer's instructions on the blade and maintenance of chain saws. And reduce the height which may lead to an increase in rebound.

Installation and dis-assembly

Note: before installing or removing electric chain saws and chain saws, make sure that the switch is turned off and the power plug has been removed.

1. First unscrew the hexagon flange nut in the right cover, then use auxiliary wrench to rotate the hexagon flange nut in anticlockwise, to remove the right side cover.

2. Then hang one end of the saw chain on the chain wheel, and the other end is placed at the end of the guide plate. Note that the direction of the knife shall be the same direction of the right side arrow, and the whole saw chain is completely inserted into the groove of the guide plate.

3. Cover the right side cover, use hexagon flange nuts to fix, be careful not to tighten, to adjust the appropriate tension of the chain, for the proper sawing chain tension has a great influence on the chain operation and the service life of the saw chain. It is advisable to adjust the following method to obtain the appropriate chain tension. The slotted end of the auxiliary wrench shall be used to regulate the screw, adjust to increase tension force in clockwise direction, on the contrary, reduce the chain tension..

After adjusting the tension, use 2KG force to grab the saw chain on the guide plate, when the gap between the chain and the guide plate is between 3 and 4 mm, the saw chain tension is the most appropriate. (as shown in Figure 3).

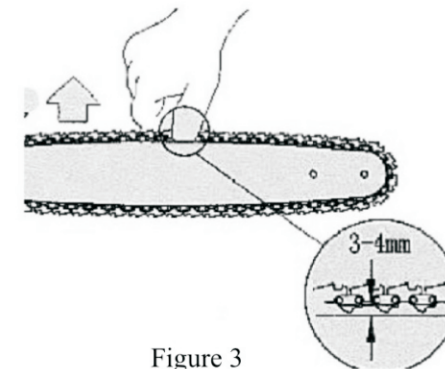


Figure 3

4. Finally, tighten the nut of the hexagon flange nuts with a wrench

Note: When the new saw chain is installed on the guide plate during the running period, it needs to adjust the tension frequently, for chain has a tendency to extend. Loose saw chain may damage the chain saw machine and human body to cause serious accident during operation.

Switch operation

In order to avoid the user accidentally pull the trigger, this tool uses the anti lock switch, when you start your tools, press the switch anti lock button and pull the trigger at the same time. The shutdown is to loose the trigger.

Note: before plug, check whether the switch is flexible, and pull then release the trigger to check whether the switch is able to bounce in situ (off).

Lubrication

Saw chain performance and life will be under great pressure if saw chain has high-speed taxiing on the guide plate.

The machine has an automatic oil pump system, it can start pumping oil when in the operation of the machine.

Before starting electric chain saw, it needs to confirm whether the chain saw is filled with enough oil, the gear box is provided with an oil window, which can observe the oil level, when the oil level is too low, please add. When filling, just open the oil cap, oil can be filled with the oil can. Special or high viscosity oil is not required, just for the purpose for lubrication of chain saws and guides. Recommended #68 turbine oil or engine oil. When adding oil, please don't let the dust and impurities into the sawdust machine oil pot, cover oil tank lid, otherwise it will plug the oil channel. Put the machine on the flat until you see the saw chain dump oil, it is indicated that the oil pump is working normally, and the cutting operation can be carried out.

Use operation

1. Start

Use your thumb and other fingers to hold tightly the front and rear handles. When the motor rotates, be sure to stand firm and hold the chain saw with both hands. The anti-skid teeth below the electric chain saw can be used as a fulcrum to put the tool to saw the wood, and gently press it, do not force the guide plate to avoid overheating due to overload.

If you find the plate is hot, immediately stop sawing work to make the plate cooling, check the tension of the chain at this time, as well as whether oil pump is working normally.

2. Tree sawing

Two or more people carry out cross cutting and hew down operations, the cutting operations should be separated from hew down operations, and at least two times the distance between the trees. The felled tree shall not endanger any person, knock down a road line or cause any damage to the property. If the felled tree contacts a utility wire, the company should be notified immediately.

Chain saw operator should stand on the high side, because felled tree is easy to roll or slide down the slope.

Tool carrying

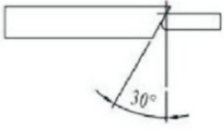
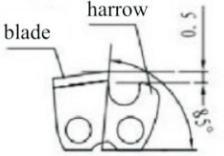

Hold the tool with the front handle, and at the same time, turn off the tool, keep the finger away from the switch, and place the guide plate backward, and use guide sleeve to hitch the guide and saw chain.

Maintenance

Note: making regular inspection, before maintenance work, be sure to turn off the switch and unplug the power head.

1.Chain saw grinding

In order to keep your tool cutting work always in the best condition, be sure to keep the sharp teeth, and carry out grinding according to the following figure.

	Flank angle	Upper lapping angle
		
The upper angle of 30 degrees at the most ideal position	blade harrow Side teeth down to 85 degrees	If correctly reaming the upper and lateral teeth, the upper grinding angle should automatically become 60 degrees.

When in grinding, when pushing grater according to the arrow direction, do not to touch the blade file.

When saw chain is ground two or three times, the teeth may also need to be slightly lower. This is because the tooth target plays a role in measuring the depth of the blade. When grinding, because of the special curve shape of the cutter, the cutter will lose certain height. Therefore, the cutter will become lower than the depth gauge, and finally lead to failed cutting. To compensate for this, use a flat file to grind the tooth top target to make it lower than the tooth tip 0.5 mm. Note do not rasping the tooth target, otherwise, the cutter will be sawed at one time, causing the tool to be stuck when cutting.

2.Clear stack sawdust

After sawing wood, stack sawdust in the guide slot and the lubricating oil hole shall be removed for repair oil passage. At this point, we should remove the guide plate for maintenance.

3. Replacement of carbon brush

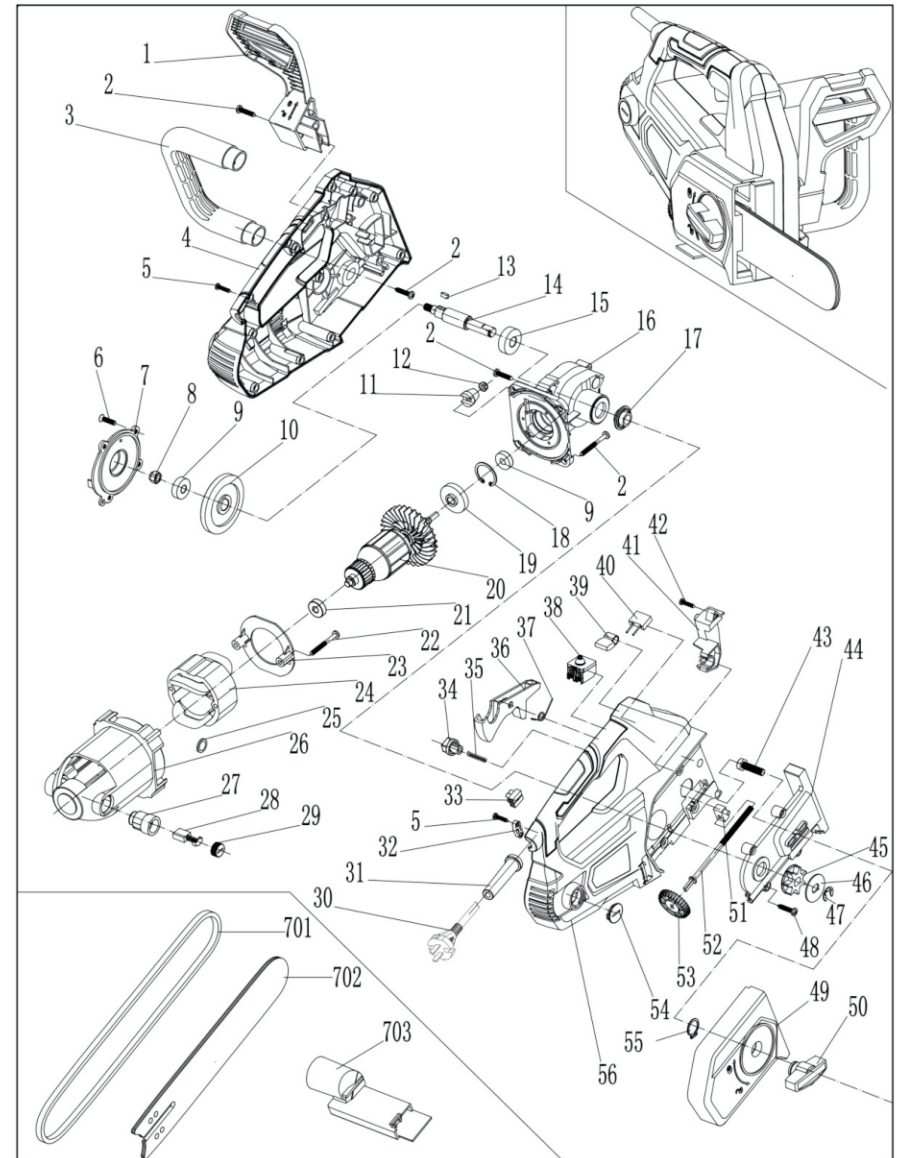
Replace and check the carbon brush regularly, when it is worn to the limit wear line, it needs to be replaced. Please use only carbon brush provided by professional manufacturers.

Use a screwdriver to remove the cover of the carbon brush. Remove the worn carbon brush, insert the new carbon brush, and tighten the carbon brush cover. In order to ensure the safety and reliability of the product, the tools should be handed over to the professional electric tool maintenance center personnel for repair, carbon brush inspection or replacement, including any other maintenance or adjustment. Please specify the use of the original accessories.

Specifications

Model	PM-AAC-250
Voltage	220V~
Frequency	50Hz
Rated Power	2200W
No-Load Speed	720r/min
Guide Bar Length	300mm/12"
Cutting Cap	250mm

PM-AAC-250 Exploded Views



PM-AAC-250 Parts list

Item	Description	Qty	Item	Description	Qty
1	Protective baffle	1	40	capacitance	1
2	Screw ST5×25	11	41	Brake lever	1
3	front handle	1	42	Cross pan head tapping screw ST4×14	1
4	Left casing	1	43	hexagon bolt M8X30	1
5	Cross pan head tapping screw ST4×14	14	44	Guide bracket	1
6	Cross countersunk head screw M5×20	4	45	sprocket	2
7	Gearbox cover	1	46	grommet	1
8	Hexagon lock nut M8	1	47	split washer 9	1
9	bearing 6200	2	48	Cross pan head tapping screw ST5×18	4
10	Big Gear	1	49	Guide plate cover	1
11	Gear	1	50	Guide plate locking knob	1
12	Hexagon lock nut M6	1	51	Chain adjustment nut	1
13	flat key 5×5×10		52	Chain adjustment screw	1
14	Spindle	1	53	Chain adjustment wheel	1
15	bearing 6201	1	54	Brush holder outer cover	2
16	Gear box	1	55	External retaining ring	1
17	Dust retaining ring	1	56	Right casing	1
18	Hole retaining ring	1	701	chain	1
19	Brake wheel	1	702	guide plate	1
20	Armature	1	703	Dust collection	1
21	bearing 608	1			
22	Cross pan head tapping screw ST5×50	2			
23	Ring	1			
24	Fieldcoil	1			
25	Tension Spring	2			
26	Stator sleeve	1			
27	brush holder	2			
28	Carbon brush	2			
29	brush holder cover	2			
30	power line	1			
31	Cable sheath	1			
32	Cable pressing	1			
33	line bank	1			
34	Anti lock button	1			
35	spring2	1			
36	Switch trigger	1			
37	torsional spring	1			
38	Switch	1			
39	Switch swing rod	1			