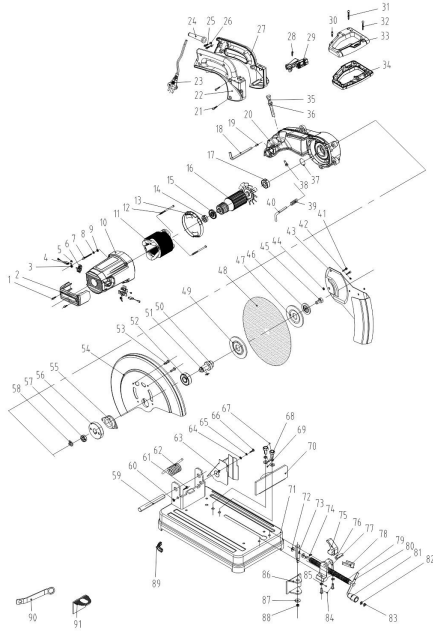


PM355CS CHOP SAW

Max wheel diameter:	355mm
No load speed:	4100r/min
Power:	2400W
Net weight:	19KG



PM355CS SPARE PARTS LIST

No	Parts Name	Pcs	Seri No	INR	No	Parts Name	Pcs	Seri No	INR
1	ScrewST4x14	2			57	Bearing(6005-2z)	1		
2	Back cover	1			58	External cnrclips	1		
3	Filed Coil spring	2			59	Torsion spring fixed shaft	1		
4	Carbon brush	2			60	Hex nutM6x17	1		
5	Pinhead screwST3.5x12	2			61	ScrewM6X16	1		
6	Brush frame	2			62	Torsion spring	1		
7	ScrewM5x45	4			63	Dust cover	1		
8	Spring washerg5	4			64	Flat washerg6	1		
9	Flat washerg5	4			65	Spring washerg6	1		
10	Motor housing	1			66	ScrewM6x15	1		
11	Filed Coil 65H	1			67	External six angle screwM10x20	2		
12	Bearing sleeveST5x80	2			68	Spring washerg10	2		
13	Baffle	1			69	Flat washerg10	2		
14	Bearing(6000-2z)	1			70	Vice B	1		
15	Washer	1			71	Base	1		
16	Armature(65H)	1			72	Flat washerg8xp15x1.5	2		
17	Bearing(6202-2RS)CAU	1			73	Pin	1		
18	Pin	1			74	Spring round pin	1		
19	Rubber pin	1			75	Vice nut	1		
20	Rocker arm	1			76	Pin	1		
21	ScrewST4x14	3			77	Support bracke	1		
22	Left handle	1			78	Half Ring Washer	1		
23	Cable	1			79	Screw rod	1		
24	Sheath	1			80	Screw rod handle	1		
25	ScrewST4x14	3			81	Handle sleeve	1		
26	Tension disc	1			82	Flat washerg8xp15x1.5	1		
27	Right handle	1			83	Elastic washer for shaftp6.5	1		
28	Screw ST4*10	1			84	ScrewM8x20	2		
29	Switch	1			85	Spring washerg8	2		
30	Screw ST4*12	1			86	Vice A	1		
31	Screw ST5*40	1			87	Flat washerg8xp25x3	1		
32	ScrewST5x45	4			88	Inner six corner nutM8	1		
33	D handle A	1			89	Shockproof foot pad	4		
34	D handle B	1			90	Wrench	1		
35	Hexagon boltM10x80	1			91	Non-slip mat	1		
36	Hexagon nutM10	1							
37	O rubber ring	1							
38	ScrewM6x16	1							
39	Spring	1							
40	Lock pin	1							
41	Round headed screwST5x80H17	2							
42	Rubber rolls	3							
43	Moveable guard	1							
44	NutM5	1							
45	Six angle locking boltM15x25	1							
46	Clamp sheet	1							
47	Outer flange	1							
48	Cutting wheel	1							
49	Inner flange	1							
50	Spindle	1							
51	square key	1							
52	Bearing(6204-2z)	1							
53	Inner six corner screw	4							
54	Wheel cover	1							
55	Cover	1							
56	Gear	1							