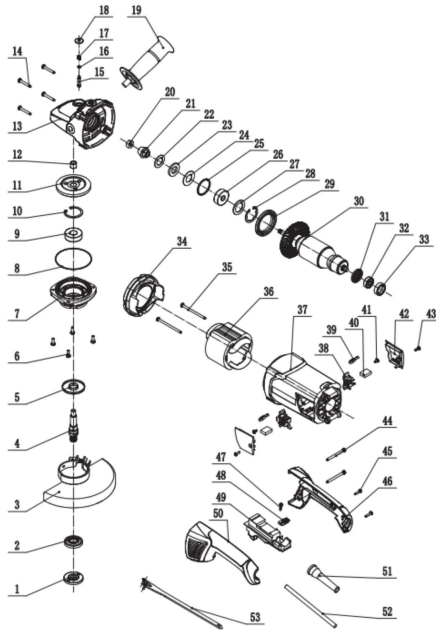


# Polymak®

**PMAG180/230** 180/230MM(7/9") ANGLE GRINDER  
 Max. wheel diameter: 180/230mm  
 No load speed: 8400r/min  
 Power: 2200W  
 Net weight: 6.0/6.2KG



www.polymak.co.in

# Polymak®

## PMAG180/230 SPARE PARTS LIST

No	Parts Name	Pcs	Part No	INR	No	Parts Name	Pcs	Part No	INR
1	Outer flange	1			38	brush holder	2		
2	inner flange	1			39	springs	2		
3	Wheel guard	1			40	carbon brushes	2		
4	spindle	1			41	screw ST4x8	2		
5	Dust-proof cover	1			42	side cover	1		
6	Screw M5x16	4			43	screw ST4x12	2		
7	Front Cover	1			44	screw ST5x55	2		
8	ring φ2φ79x1.5	1			45	screw ST4x18	2		
9	bearing 6203	1			46	right handle	1		
10	circlip for holeφ40	1			47	screw ST4x16	1		
11	gear	1			48	Pressure plate	1		
12	needle bearing HK1012	1			49	switch	1		
13	gear box	1			50	left	1		
14	screw ST5X35	4			51	cable sleeve	1		
15	self locking pin	1			52	cable	1		
16	O ring φ7x1	4			53	spanner	1		
17	self locking spring	1							
18	self locking cap	1							
19	side handle	1							
20	screw M8	1							
21	pinoin	1							
22	washer φ31.8*φ19*1	1							
23	wool washer φ32.5x17.5x4	1							
24	bearing washer φ38.8*φ19*1	1							
25	O ring φ36.5Xφ2.65	1							
26	bearing 6301	1							
27	washer φ36.5*φ24.5*2	1							
28	circlip for holeφ37	1							
29	front dust-proof ring	1							
30	amature	1							
31	dust-proof ring	1							
32	bearing 629	1							
33	beaing sleeve	1							
34	windshield	1							
35	screw ST5X75	1							
36	stator	1							
37	housing	1							