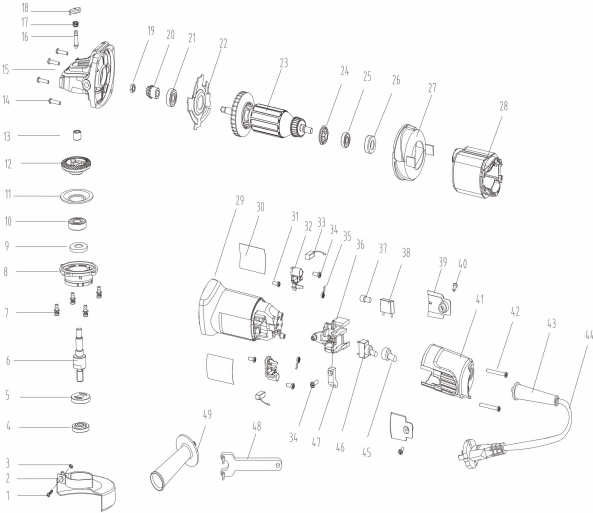


# Polymak®

**PMAG4-803DY** ANGLE GRINDER  
 Max. wheel diameter: 100mm  
 No load speed: 11000r/min  
 Power: 850W  
 Net weight: 2.2KG



www.polymak.co.in

# Polymak®

## PMAG4-803DY SPARE PARTS LIST

No	Parts Name	Pcs	Seri No	INR	No	Parts Name	Pcs	Seri No	INR
1	Cruciform Slot ScrewX22	1			38	Capacitor(On Demand)	1		
2	Safe Wheel Guard	1			39	Carbon Brush Cap	2		
3	Nut M5	1			40	Slot Screwdriver 4X9	2		
4	Outer Flange	1			41	Plastic Housing	1		
5	Inner Flange	1			42	Self tapping screw4X35	2		
6	Output Shaft	1			43	Cable Sheath	1		
7	Cruciform Slot Screw4X14	4			44	Cable	1		
8	Front Cover	1			45	Switch Sheath	1		
9	Dust Proof Mat	1			46	Switch	1		
10	Rolling Bearing 62001	1			47	Cable Fix Plate	1		
11	Bow-shaped Component	1			48	Wrench	1		
12	Gear Wheel 36	1			49	Side Handle	1		
13	Needle Roller Hk0810	1							
14	Self-tapping screw4X20	4							
15	Gear Housing	1							
16	Lockpin	1							
17	Lockpin Spring	1							
18	Lockpin Cap	1							
19	Holder M7	1							
20	Gear Wheel 11	1							
21	Rolling Bearing 608	1							
22	Platen	1							
23	Armature 35X48mm	1							
24	Creeping Circle	1							
25	Rolling Bearing 607	1							
26	Bearing Socket	1							
27	Retainer Ring	1							
28	Stator 50X48mm	1							
29	Plastic Housing	1							
30	Brand Sticker	2							
31	Self tapping screw3X12	2							
32	Carbon Brush Holder	2							
33	Carbon Brush 5X8X13	2							
34	Self tapping screw4X12	3							
35	Fix Spring	2							
36	Switch Base	1							
37	Wiring Cap	1							