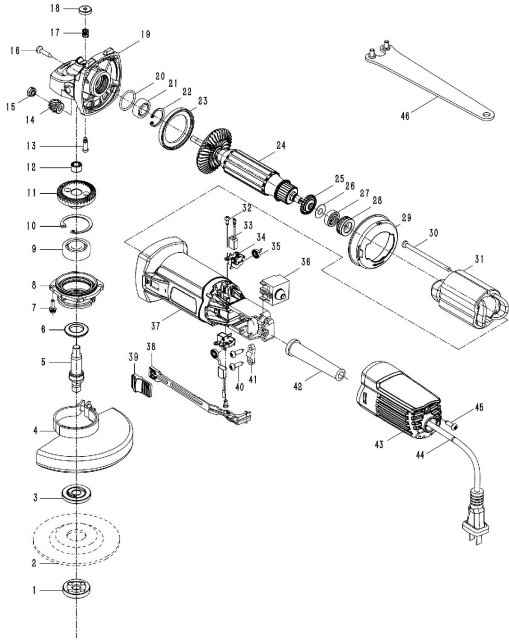


PMAG4-670S 100MM(4") ANGLE GRINDER
 Max. wheel diameter : 100mm
 No load speed: 11000r/min
 Power: 670W
 Net weight: 2.0KG



PMAG4-670S SPARE PARTS LIST

No	Parts Name	Pcs	Part No	INR	No	Parts Name	Pcs	Part No	INR
1	Outer Flange	1			38	Switch rod	1		
2	Grinding wheel	0			39	Pushing block	1		
3	Inner Flange	1			40	Screw	2		
4	Wheel cover	1			41	Wire plate	1		
5	Output shaft	1			42	Cord guard	1		
6	Dust cover	1			43	Back cover	1		
7	Screw M4*14	4			44	Power cord	1		
8	Bearing holder	1			45	Screw	1		
9	bearing 6201RS Z3	1			46	Wrench	1		
10	spring ring 32	1							
11	Big gear	1							
12	HK0808 Needle bearing	1							
13	Self-locking pin	1							
14	Pinion	1							
15	M6 Nut	1							
16	Screw	4							
17	Self-locking spring	1							
18	Self-locking cap	1							
19	Gear cover	1							
20	O-ring Ø21.5*1.8	1							
21	608 Bearing	1							
22	spring ring 22	1							
23	Dust cover	1							
24	Armature	1							
25	Ring	1							
26	Washer φ7*φ14*0.3	1							
27	Bearing	1							
28	Bearing sleeve	1							
29	Fad Guid	1							
30	Screw	2							
31	Stator	1							
32	Screw	4							
33	Carbon brush	2							
34	Carbon brush holder	2							
35	Coil spring	2							
36	Switch	1							
37	Motor housing	1							