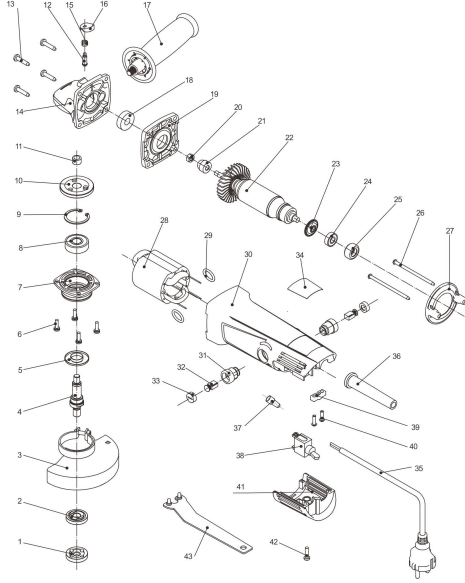


# Polymak

**PMAG4-670B** 100MM(4") ANGLE GRINDER  
 Max. wheel diameter: 100mm  
 No load speed: 11000r/min  
 Power: 670W  
 Net weight: 2.1KG



www.polymak.co.in

# Polymak

## PMAG4-670B SPARE PARTS LIST

No	Parts Name	Pcs	Seri No	INR	No	Parts Name	Pcs	Seri No	INR
1	Inner Flang	1			38	Switch	1		
2	Outer Flange	1			39	Cable Clamp	1		
3	Wheel Guard	1			40	Screw S14x14	2		
4	Spindle	1			41	Rear Cover	1		
5	Dustproof Spacer	1			42	Screw S14x20	2		
6	Screw M4x13	4			43	Wrench	1		
7	Front Cover	1							
8	Bearing 6201	1							
9	Circlip For Hole Φ32	1							
10	Big Gear	1							
11	Needle Bearing HK0808	1							
12	Selflocking Pin	1							
13	Screw S15x22	4							
14	Aluminium Head	1							
15	Selflocking Spring	1							
16	Selflocking Cap	1							
17	Screw M4x6	2							
18	Bearing 629	1							
19	Middle Cover	1							
20	Nut M6	1							
21	Pinion	1							
22	Armature	1							
23	Dustproof Ring	1							
24	Bearing 607	1							
25	Bearing Sleeve	1							
26	Screw S14x75	2							
27	Windshield	1							
28	Stator	1							
29	Tension Spring	2							
30	Housing	1							
31	Brush Holder	2							
32	Brush	2							
33	Brush Holder Cover	2							
34	Brand	2							
35	Cable	1							
36	Cable Protector	1							
37	Connection Head	1							