

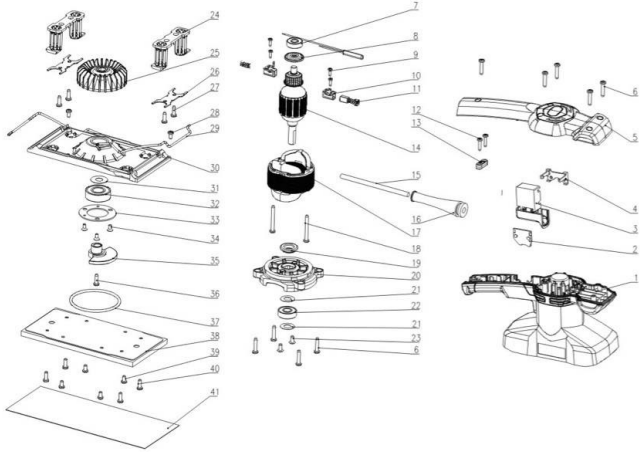
Polymak®

Solutions Provider For Industry & Trade



PM185LFS FINISHING SANDER

Power: 320W
 No load speed: 14000r/min
 Voltage/Frequency: 220V-50Hz/50Hz-60Hz



Polymak®

Solutions Provider For Industry & Trade

No.	Part Description	Qty	SerlNo	INR
1	Motor Housing	1		
2	Switch Locating Plate2	1		
3	Switch	1		
4	Switch Locating Plate1	1		
5	Casing Cover	1		
6	St4,2X20	9		
7	Deep Groove Ball Bearing 608	1		
8	Scraper Seal	1		
9	St2,9X9,5	4		
10	Brush Yoke	2		
11	Carbon Brush	2		
12	St3,5X16	2		
13	Cable Clamp	1		
14	Rotor	1		
15	Cable	1		
16	Cable Sheath	1		
17	Stator	1		
18	St4,2X38	2		
19	Scraper Seal	1		
20	Bearing Pedestal	1		
21	Dust-Proof Cushion 20	2		
22	Deep Groove Ball Bearing 6000	1		
23	St4,2X9,5	2		
24	Vibration Stents	2		
25	Fan Blade	1		
26	Vibrating Support Plate	2		
27	St4,2X13	4		
28	M4X8	2		
29	Sand Paper Clip	2		
30	Baseboard	1		
31	Dust-Proof Cushion 24	1		
32	Deep Groove Ball Bearing6202	1		
33	Bearing Pressure Plate	1		
34	M4X10	3		
35	Counterbalance	1		
36	M4X14	1		
37	Q Type Circle 64,7X3,5	1		
38	Soft Mat Group	1		
39	M4X8	4		
40	M4X12	4		
41	Abrasive Paper 80	3		