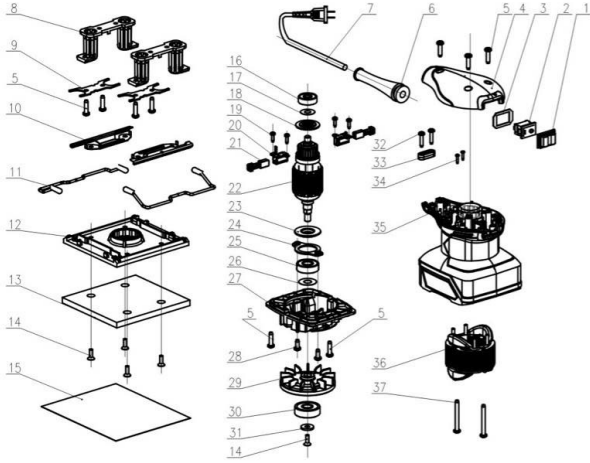


Polymak®

Solutions Provider For Industry & Trade



PM110SFS PALM SANDER
 Power: 240W
 No load speed: 14500r/min
 Voltage/Frequency: 220V-50Hz/50Hz-60Hz



www.polymak.co.in

Polymak®

Solutions Provider For Industry & Trade

NO.	Part Description	Qty	Serl No	INR
1	switch cover	1		
2	switch	1		
3	middle cover	1		
4	rear cover	1		
5	screw ST4.2*16	9		
6	sleeve	1		
7	Power cable 2M	1		
8	holder	2		
9	holder plate	2		
10	sand paper clip	2		
11	wire clip	2		
12	base plate	1		
13	foam plate	1		
14	scrc M4*12	5		
15	Sandpaper	1		
16	627RZ bearing	1		
17	flat washer φ7.2xφ17x0.2	1		
18	dust ring 1	1		
19	screw ST2.9X9.5	4		
20	brush holder	2		
21	carbon brush	2		
22	armature	1		
23	dust ring 2	1		
24	bearing cover	1		
25	6000-2RS bearing	1		
26	flat washer φ 9X φ 21X0.2	1		
27	HOUSING	1		
28	screw M4X8	2		
29	fan	1		
30	6200RS-2RS bearing	1		
31	washer φ 5.5X φ 15X2	1		
32	screw ST3.5*16	2		
33	wire pressing plate	1		
34	screw ST2.2x9.5	2		
35	housing	1		
36	stator	1		
37	screw ST4.2*38	2		