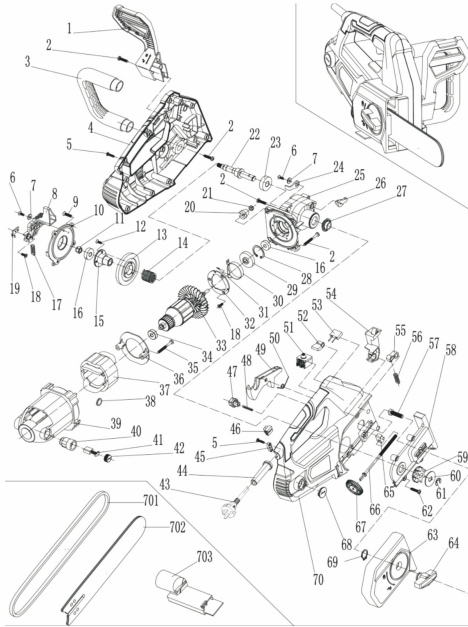


Polymak®

PM-AAC-250 AAC BLOCK CUTTER
 Voltage/Frequency: 220V/50Hz
 No-Load Speed: 720r/min
 Power: 1200W
 Guide Bar Length: 300mm/12"
 Cutting Cap: 250mm



www.polymak.co.in

Polymak®

PM-AAC-250 SPARE PARTS LIST

No	Parts Name	Pcs	Seri No	INR	No	Parts Name	Pcs	Seri No	INR
1	Protective baffle	1			38	Tension spring	2		
2	Screw ST5x25	11			39	Stator sleeve	1		
3	Front handle	1			40	brush holder	2		
4	Left casing	1			41	Carbon brush	2		
5	Cross pan head tapping screw ST4x14	14			42	brush holder cover	2		
6	Cross tapping screw M4 x 14 (single combination)	2			43	power line	1		
7	Washer 4 x twelve x one	2			44	Cable sheath	11		
8	Brake lever 1	1			45	Cable pressing plate	1		
9	Cross countersunk head screw M5x20	4			46	Line bank	1		
10	Gearbox cover	1			47	Anti lock button	1		
11	Hexagon lock nut M8	1			48	spring2	1		
12	Cross countersunk head screw M4 x 12	3			49	Switch trigger	1		
13	Big gear	1			50	torsional spring	1		
14	Brake torsion spring	1			51	Switch	1		
15	Shaft sleeve	1			52	Switch swing rod	1		
16	Bearing 6200	2			53	capacitance	1		
17	Spring 1	1			54	Brake lever 5	1		
18	Cross countersunk head screw M4 x 8	4			55	Brake lever 6	1		
19	Brake lever 2	1			56	SPRING 3	1		
20	Pinion	1			57	hexagon bolt M8X30	1		
21	Hexagon lock nut m6	1			58	Guide bracket	1		
22	Spindle	1			59	sprocket	2		
23	Bearing 6201	1			60	grommet 35	1		
24	Brake lever 3	1			61	split washer 9	1		
25	Gear box	1			61	Cross pan head tapping screw ST5x18	4		
26	Brake lever 4	1			63	Guide plate cover	1		
27	Dust retaining ring	1			64	Guide plate locking knob	1		
28	Hole retaining ring 30	1			65	Chain adjustment nut	1		
29	Brake wheel	1			66	Chain adjustment screw	1		
30	Brake steel strip	1			67	Chain adjustment wheel	1		
31	Pin 2x6	1			68	Brush holder outer cover	2		
32	Brake steel band baffle	1			69	External retaining ring 19	1		
33	Armature	1			70	Right casing	1		
34	Bearing 608	1			701	chain	1		
35	Cross pan head tapping screw ST5x50	2			702	guide plate	1		
36	Ring	1			703	Dust collection interface	1		
37	Fieldcoil	1							