

# Polymak<sup>®</sup>

**Polymak Tools(India)Pvt.Ltd**

186/187, P.H Road,Alsa Towers,Kilpauk,  
Chennai – 600 010,

Tel. : +91-44-48631869

E-mail : info@polymak.co.in

Visit us at : www.polymak.co.in

# Polymak<sup>®</sup>

## VIBRATOR

### 3M

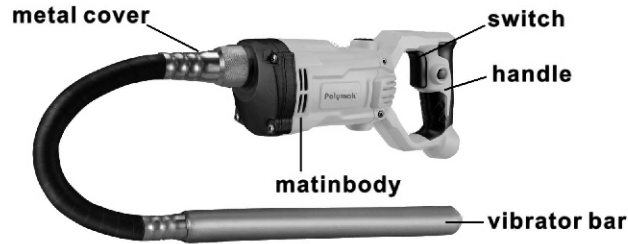
INSTRUCTION MANUAL



Read and follow all safety precautions in instruction manual.

# Concrete vibrator

## Product construction:



## Inspection

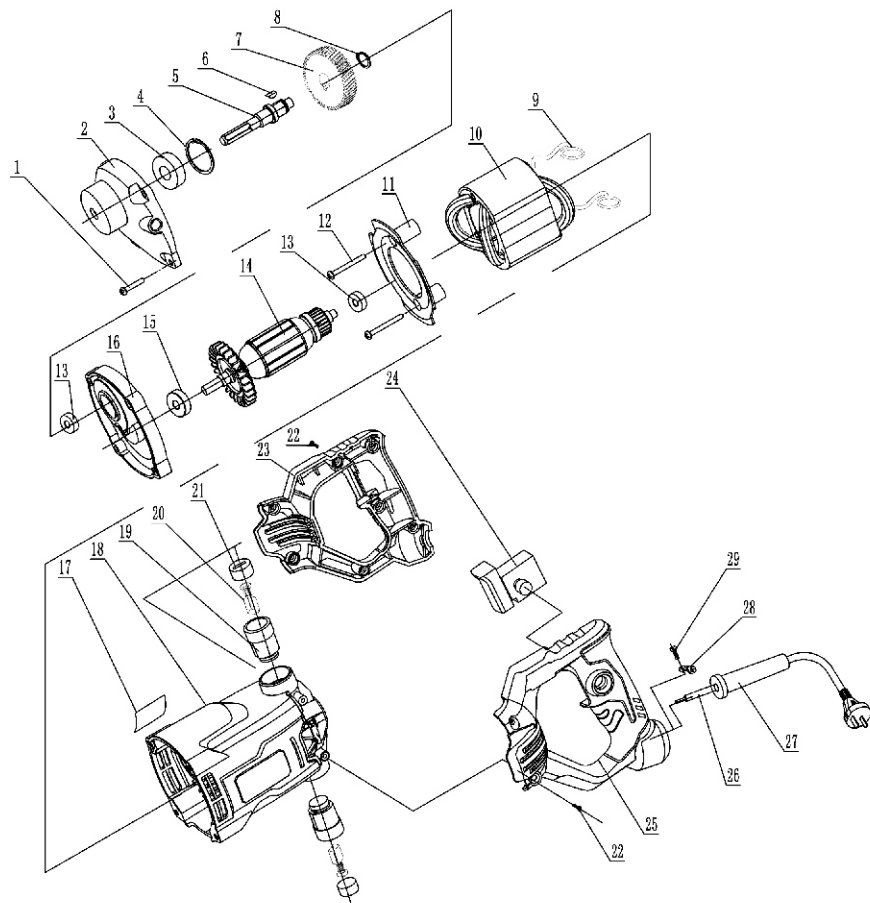
Pull the mains plug out before any work on the machine itself.

1. The brushes should be checked periodically and worn-out brushes should be replaced in time. After replacing, inspect whether the new brushes can move freely in the brush holder, keep running the motor for 15 minutes to match the contact of the brushes and commutator.
2. Keep the ventilation slots clear from dirt, clean off the accumulated dust, oil and dirt periodically.
3. If any malfunction happens during normal operation, the power supply should be cut off immediately and the tool should be checked and repaired.
4. Regularly inspect all mounting screws and ensure that they are properly tightened, should any of the screws be loose, tighten them up immediately. Failure to do so could result in personal injury or damage to the machine.
5. Do not expose the tool to rain; do not use power tools in damp or wet locations. Keep the work area well lit. Do not use power tools where there is risk to cause fire or explosion.

## Technical Parameters:

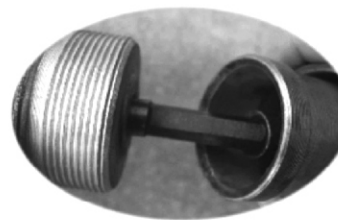
MODEL:	PMCV3M
Rated Input Power:	1100W
No-Load Speed:	4200r/min
Rated voltage:	220V~
Rated frequency	50Hz

No	Name of parts	No	Name of parts
1	Screw ST5*35	16	Middle Cover
2	Gear Box	17	Nameplate
3	Bearing 6201	18	Housing
4	Ring 32	19	Brush Holder
5	Spindle	20	Carbon Brush
6	Key 3*3.7*10	21	Brush Cover
7	Big Gear	22	Screw ST4*16
8	Washer 12	23	Left Handle
9	Tension Spring	24	Switch
10	Filed Coil	25	Right Handle
11	Windshield	26	Cable
12	Screw ST5*55	27	Cable Protector
13	Bearing 608	28	Cable Clamp
14	Armature	29	Screw ST4*14
15	Bearing 6200		

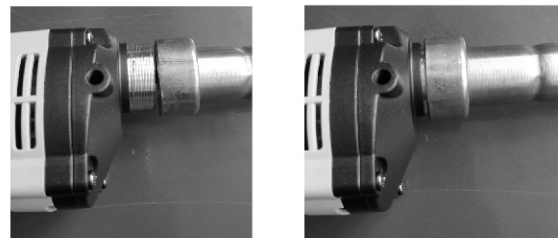


### Installation instructions:

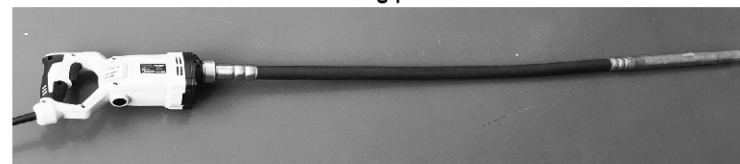
1. Aim the axis of the machine head at the vibration bar's hole, as shown in the following picture



2. Follow the direction of the thread to tighten as shown in the following picture



- 3 Assemble as shown in the following picture



### Application

Apply to concrete casting.

### Operation instruction

1. Overall inspection of the tool.
2. Make sure the main supply is 230V~ before you plug in.
3. Power on the product without the vibrator bar for more than 1 minutes, to check whether the motor runs smoothly.
4. If the motor works fine, then unplug the tool; assemble the vibrator bar according the installation instructions above.
5. Power on the product after assembly and press the switch to use.

(There is a lock key near the switch. You can press the lock key to keep the product on working status.)

6. Turn off the switch and power off after use and make sure it's properly cleaned and stored.

## Maintenance

1. Consult a professional to change the vibrator's carbon brush and check the spring pressure regularly.
2. Check whether the vibrator's body is in good condition; make sure the vibrator vibrates smoothly.
3. Ask a professional to check the condition of each part regularly. Change the parts which are not fit for use in time.
4. Fasten any screws that came loose during operation.
5. Regularly check whether the rotating part's bearing, gear and cooling fan blade are flexible and in good condition, timely add oil to the rotating part in order to extend the service life of the vibrator.

## Safe Operation

1. Must concentrate when at work. Not only keep your head clear, but also rationally operate the electrical tools. It is strictly forbidden to operate machines under the influence of alcohol, stimulants or drugs.
2. The vibrator casing must be protected by a grounding wire or a neutral wire.
3. Protect the vibrator's wire. To prevent damage it is strictly forbidden to drag the wire everywhere. It is also not allowed to drag the wire into oily water to prevent corrosion.
4. Check whether the insulation and switch are good.
5. Install the vibration bar using appropriate force, then wait several minutes before usage and use it only after it runs normally.
6. Pay attention to your posture when at work, don't treat it casually, make sure to stand stable and keep your balance at any time when operating the machine.
7. When using the vibrator in damp places, you must wear rubber shoes and rubber gloves, stand on a rubber mat or dry wood to prevent electric shock. Safety precautions must be taken when climbing or in an air tight area.

8. Please stop work immediately when the vibrator has a high temperature and stop using it until it cools down.
9. You cannot disassemble and change vibration bar until the vibrator has completely stopped moving. Do not disassemble and assemble the vibrator in unusual circumstances; the vibrator should be given to a professional to be repaired.
10. Cut off the electricity in case of a power outage, when having a rest or leaving the work place.
11. Wear suitable working clothes and not wear too loose ones. Be careful with jewelry, long hair or unbuttoned cufflinks.
12. Store in a suitable area, keep the vibrator and insulation products together.

## Safety warning and precautions

Read the instructions before operating this product. Keep these instructions and follow them to reduce the risk of fire, damage and personal injury.

1. The electric motor has been designed for one voltage only. Always check that the power supply corresponds to the voltage on the rating plate.
2. Do not abuse the cord, never carry the tool by the cord or yank it to disconnect it from sockets. Keep the cord away from heat, oil, and sharp edges.
3. Avoid body contact with earth or ground surface. Do not carry the plug-in tools with a finger on the switch. Ensure the switch is turned off when plugging in, always wear earmuffs. Safety glasses and face masks while in operation. Always ensure the insulation in order. Always pay attention to the cable and cable guard. Use the standard parts. Do not use a coolant or water and do not use when the connection isn't in good operation and spark problem.

## Trouble shooting

Before you contact our service center, please check the following:

Problem	Possible reason	Advice
Motor does not start	-Power cord not firmly plugged into outlet. -Outlet damaged. -The product not switched on.	-Plug unit firmly. -Check the Outlet. -Switch on the appliance
Vibrator does not work	- Spring of the vibrator bar gets stuck	-Vibrate the vibrator bar on the ground when power on.
Sparks when working	-Motor's problem	-Ask a professional to repair