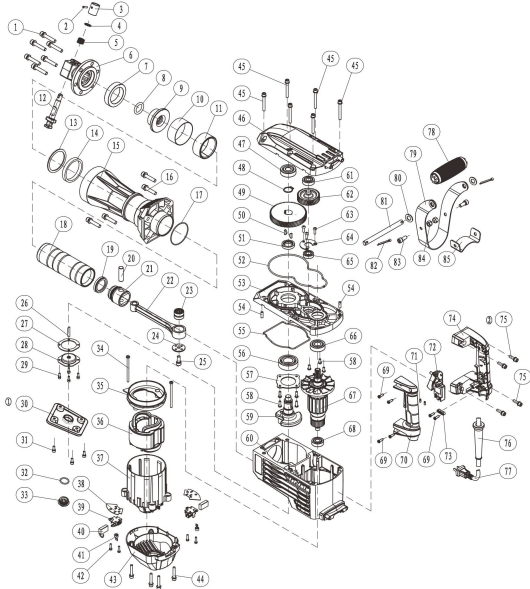


**PMDH15P** 15KG DEMOLITION HAMMER  
 No Load Speed: 1850r/min  
 Max. Impact Energy: 45J  
 Power: 1400W  
 Shank: 17mm Hex Shank bit  
 Net weight: 15KG



**PMDH15P SPARE PARTS LIST**

No	Parts Name	Pcs	Seri No	INR	No	Parts Name	Pcs	Seri No	INR
1	M8*40 screw set	6			57	6205 bearing washer	1		
2	Cylindrical pin φ4*18	1			58	Screw M5*16	4		
3	lock pin sleeve	1			59	Crankshaft	1		
4	lock pin washer φ12.5*φ19*2	1			60	Gear box	1		
5	Steel Ball B4	1			61	Bearing 6201	1		
6	Iron head	1			62	Middle gear	1		
7	Roller handle cushion φ68*φ67*14.5	1			63	Screw M5*12	3		
8	O ring φ23*φ5.4	1			64	6001 bearing washer	1		
9	Rotary handle sleeve	1			65	6001 bearing	1		
10	Open ring sleeve	1			66	6203 bearing	1		
11	Open ring	1			67	Rotor	1		
12	Lock pin	1			68	6201 bearing	1		
13	Washer φ57*φ68.5*2	1			69	Screw	4		
14	Open ring cushion φ68.5*φ68.5*4.5	1			70	Handle cover	1		
15	Front cover	1			71	Rubber column φ4*10	2		
16	Screw set M8*40	4			72	Switch	1		
17	O ring φ55*φ2	1			73	Cable clamp	1		
18	Piston cylinder	1			74	Handle	1		
19	Piston ring	1			75	Screw set M5*22	4		
20	Piston pin φ12*44	1			76	Cable sleeve	1		
21	Piston	1			77	Side handle	1		
22	Link rod	1			78	Side handle frame	1		
23	Needle bearing N61820	1			80	Washer φ12.5*φ23*1	2		
24	Link rod washer	1			81	Pin 3*25	2		
25	Screw set M8*25	1			82	Hexagon socket head cap screw M8*40	2		
26	Oil rope	0.5			84	M8 nut	2		
27	Fuel tank gasket 1	1			85	Side handle latch segment	1		
28	Oil rope washer	1							
29	Screw set M4*12	4							
30	Fuel tank cover	1							
31	Screw set M5*16	3							
32	O ring 20*φ2.5	1							
33	Oil window	1							
34	ST screw ST4.8*80	2							
35	Film guide	1							
36	Slator	1							
37	Housing	1							
38	Brush holder board	2							
39	Brush holder	2							
40	Flat spring	2							
41	Frame Oil Seal 13072316	2							
42	ST screw ST4.8*16 C type	6							
43	Rear cover	1							
44	Screw set M5*35	4							
45	Screw set M5*55	6							
46	Gear box top cover	1							
47	Bearing 6302	1							
48	D22 shaft circlip	1							
49	Crankshaft gear	1							
50	Key 4*6.5*18	2							
51	Crankshaft distance sleeve	1							
52	Gear box seal ring B type	1							
53	Middle cover	1							
54	Column φ6*18	2							
55	Clear box seal ring	1							
56	Bearing 6205	1							