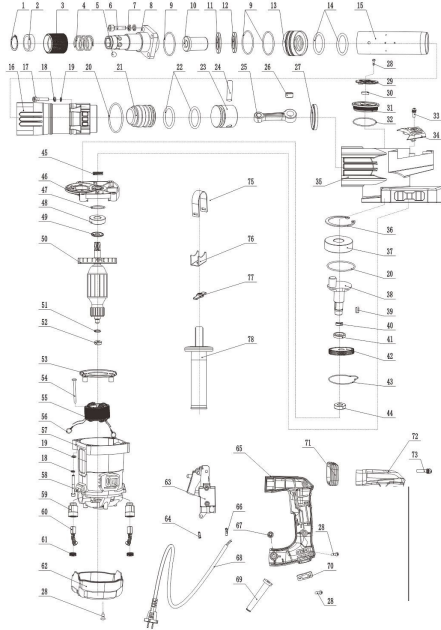


**PMDH05-2P** SKG DEMOLITION HAMMER  
Blows per minute: 3300BPM  
Max. Impact Energy: 6J  
Power: 900W  
Shank: 17mm Hex Shank bit  
Net weight: 6KG



**PMDH05-2P SPARE PARTS LIST**

No	Parts Name	Pcs	Seri No	INR	No	Parts Name	Pcs	Seri No	INR
1	Shaft Circlip28	1			57	Housing	1		
2	Locating Sleeve	1			58	Hex Screw M8*50	4		
3	Steel Sleeve	1			59	Carbon Brush Holder	2		
4	Steel Ball Holder Spring 31*225	1			60	10*16 S/S	2		
5	Steel Ball 84	6			61	Carbon Brush Holder Cover	2		
6	Hex Screw M8*35	4			62	Rear Cover	1		
7	Spring GasketΦ6	8			63	Switch	1		
8	Steel Head	1			64	Connecting Buckle	1		
9	O RingΦ28*2	3			65	Right Handle	1		
10	Impactor	1			66	Rail Cable Buckle	2		
11	Impactor Gasket	1			67	Hex Nut M6	1		
12	Rubber Gasket	1			68	Cable	1		
13	Cylinder Head	1			69	Cable Sleeve	1		
14	O RingΦ26.3*4.3	2			70	Cable Fixation Plate	1		
15	Cylinder	1			71	Damping Sleeve	1		
16	Aluminum Housing	1			72	Left Handle	1		
17	Hex Screw M8*35	4			73	Crisscross Screw M8*35	2		
18	Spring GasketΦ6	8			74	Hex Screw M8*30	1		
19	Flat GasketΦ6	8			75	Hoop	1		
20	O RingΦ47.5*1.8	2			76	Bracket	1		
21	Impact Hammer	1			77	Rung Nut	1		
22	O RingΦ28.3*3.6	2			78	Auxiliary Handle	1		
23	PistonΦ29*30	1			79				
24	Piston Pin	1			80				
25	Connecting Rod	1			81				
26	Steel Sleeve 119*12*11	1			82				
27	Cylinder Circlip	1			83				
28	Self-tapping Screw ST3.9*14	11			84				
29	Upper Oil Cover	1							
30	Wood FeltΦ18*3	1							
31	Oil Cover	1							
32	O Ring58*2	1							
33	Crisscross Screw IM4*16	3							
34	Decorative Cover	1							
35	Gear Housing	1							
36	Hole Circlip 47	1							
37	Bearing 6303	1							
38	Eccentric Shaft	1							
39	Flat Key4*4*12	2							
40	Distance Ring	1							
41	Frame Oil Seal 130*23*6	1							
42	Big Gear	1							
43	Middle Cover Seal	1							
44	Bearing 6001	1							
45	Thread Ring	1							
46	Middle Cover	1							
47	O Ring32*2	1							
48	Bearing 6201	1							
49	Dust-proof Cushion	1							
50	Rotor	1							
51	Flat Gasket115*8.3*0.5	1							
52	Bearing 608	1							
53	Windshield Ring	1							
54	Self-tapping ScrewST4.8*70	2							
55	Stator	1							
56	Tension Spring	2							