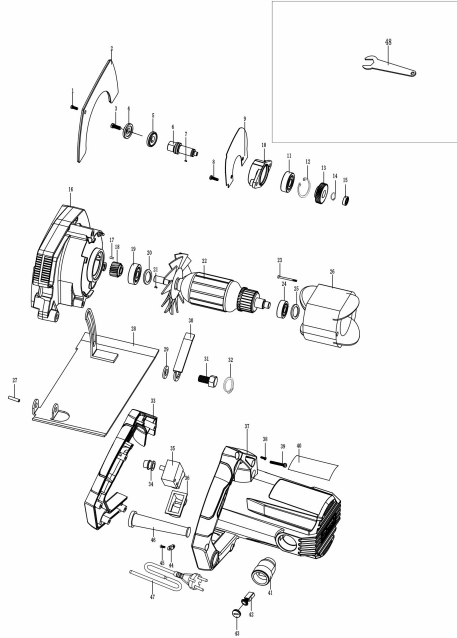


**Polymak®**



**PMCM4 Pro** MARBLE CUTTER  
 Blade diameter: 110-125mm  
 No load speed: 13000r/min  
 Power: 1100W  
 Net weight: 2.9KG



www.polymak.co.in

**Polymak®**

**PMCM4EPro SPARE PARTS LIST**

No	Parts Name	Pcs	Seri No	INR	No	Parts Name	Pcs	Seri No	INR
1	Screw M4×10	1			38	Screw ST4×14	3		
2	Gear Box Cover	1			39	Screw M5×40	3		
3	Screw M7×18	1			40	Nameplate	1		
4	Out Flange	1			41	Brush Holder	2		
5	Inner Flange	1			42	Carbon Brush	2		
6	Spindle	1			43	Brush Holder Cover	2		
7	Key 3×10	1			44	Cable Clamp	1		
8	Screw M5×25	2			45	Screw ST4×14	2		
9	Dust Protect Cover White	2			46	Cable Sleeve	1		
10	Bearing Seat	1			47	Cable	1		
11	Bearing 6201	1			48	Wrench	2		
12	Washer 32				49				
13	Big Gear	1			50				
14	Washer 12	1			51				
15	Bearing 626				52				
16	Gear Box	1			53				
17	Rubber Parts 5*8	1			54				
18	Pinion	1			55				
19	Bearing 629	1			56				
20	Washer 19*9*0.5	1			57				
21	Key 2.5*10	1			58				
22	Armature	1			59				
23	Screw ST5×60	2			60				
24	Bearing 608	1			61				
25	Washer 22*0.3	1							
26	Filed Coil	1							
27	Pin 6*32	1							
28	Base	1							
29	Washer 8.5*16*1.8	1							
30	Base Adjustment	1							
31	Screw 5/16"-14	1							
32	Washer 14	1							
33	Handle Cover	1							
34	Switch Lock Cap	1							
35	Switch	1							
36	Switch Cover	1							
37	Housing	1							