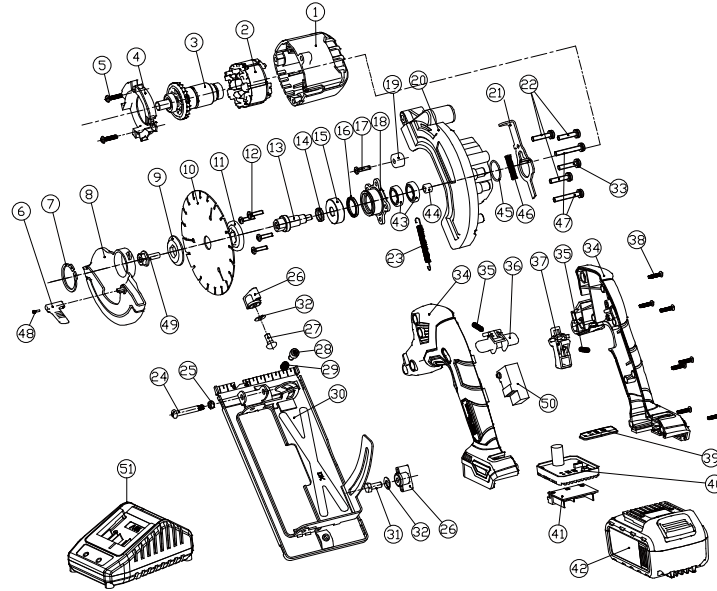


PM-CCS-18VB-2BL



ITEM	DESCRIPTION	QTY	ITEM	DESCRIPTION	QTY
1	Motor barrel	1	27	M6 * 12 bolts	1
2	Stator	1	28	M6 * 10 internal hex screw	2
3	Rotor	1	29	Bottom plate screw spring	2
4	Air deflector ring	1	30	Floor components	1
5	ST4 * 18 screws	2	31	M6 * 15 external hex bolts	1
6	Protective cover dial torsion	1	32	φ6 * φ14 * 1.0 flat cushion	2
7	Clip spring for φ30 shaft	1	33	M5 * 20 screws	1
8	Sawing blade shield	1	34	handle	1
9	top board	1	35	switch spring	2
10	saw blade	1	36	Safety trigger	1
11	hold-down plate	1	37	Switch trigger	1
12	M4 * 14 screw	4	38	ST3.5 * 16-F screw	7
13	output shaft	1	39	801 stent	1
14	Distance sleeve	1	40	Control board	1
15	Flat gear	1	41	Pin	1
16	Clip spring for φ24 hole	1	42	Battery pack	2
17	M5 * 18 half-tooth bolt	1	43	6901 bearing	2
18	Output cover	1	44	HK0608 rolling needle	1
19	φ5.2 * φ16 * 10 rubber column	1	45	O-ring 22 * 1.5	1
20	Aluminum head shell	1	46	brake spring of a gun	1
21	Brake stampings	1	47	M5 * 35 screw	2
22	M5 * 25 screw	3	48	ST1.9 * 6 screws	1
23	Guard cover pull spring	1	49	M6 * 16 external hex bolts	1
24	M5 * 37 rod bolt	1	50	Switch	1
25	M5 anti-loosening nut	1	51	charger	1
26	Floor knob	2			