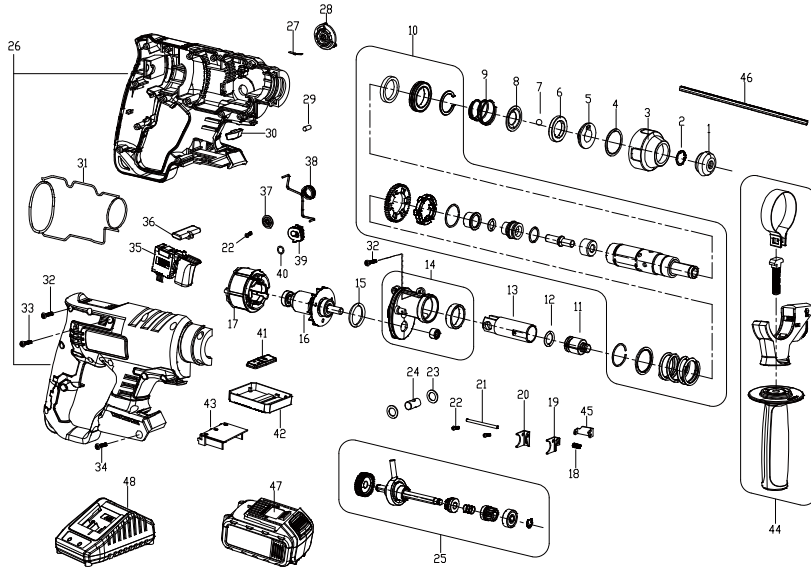


PM-CRH-18VB-2BL



ITEM	DESCRIPTION	QTY	ITEM	DESCRIPTION	QTY
1	Rubber Cap	1	25	Swing wheel assembly	1
2	φ15 Reverse spring	1	26	Housing	1
3	Sliding sheath	1	27	Shift sounder	1
4	Gasket on big spring	1	28	Function knob	1
5	Head shell gasket	1	29	Rubber column	2
6	Steel ball ring	1	30	LED lampshade	1
7	7.14 steel ball	1	31	Aluminum rubber strip	1
8	Steel ball carrier gasket	1	32	St3.5* 18 screw	15
9	Ball frame spring	1	33	St3.5 * 20 screw	2
10	Cylinder Assembly	1	34	St3 * 18 screw	1
11	Punch hammer	1	35	JC15-2 switch	1
12	Punch O ring	1	36	Forward and reverse shift	1
13	Aluminium piston	1	37	Shifter spring washer	1
14	Aluminum assembly	1	38	Big swing spring	1
15	608 rubber ring	1	39	Knob dial the piece	1
16	Rotor	1	40	8*2.5 O ring	1
17	Stator	1	41	801 stents	1
18	Small shift spring	1	42	control panel	1
19	Left shift	1	43	Pin	1
20	Right shift	1	44	The auxiliary handle	1
21	φ3 * 47 steel pin	1	45	Gear shift	1
22	ST3*10 screw	3	46	depth indicator	1
23	Piston pin gasket	2	47	battery pack	2
24	piston pin	1	48	charger	1