

Polymak[®]

Solutions Provider For Industry & Trade

PNEUMATIC ANGLE GRINDER

PM-PAG-100

INSTRUCTION MANUAL



Read and follow all safety precautions in instruction manual.



IMPORTANT:

Upon receipt of the product, read and follow all safety rules, operating instructions before first use it.
And retain this manual for future reference.

 **Residual risks**

Even when the tool is used as prescribed it is not possible to eliminate all residual risk factors. The following hazards may arise in connection with the tool's construction and design:

1. Damage to lungs if an effective dust mask is not worn.



2. Damage to hearing if effective hearing protection is not worn.



3. Health defects resulting from vibration emission if the power tool is being used over longer period of time or not adequately managed and properly maintained.

4. Wear eye protection.



Technical Data

Wheel Dia.:.....	100mm
Free Speed:.....	11000RPM
Air Inlet (NPT):.....	1/4"
Air Hose(ID):.....	3/8"
Avg.air consumption:.....	.5cfm, 140 L/min
Sug.Air Comp:.....	.2HP

Important Safety Rules

1. Always wear safety goggles or glasses.
2. Always ensure machine is switched off before connecting to air supply.
3. Disconnect any machine from the air supply before changing blades or discs, and before servicing any type of machine.
4. Always keep your air tool clean and lubricated. Daily lubrication is essential to avoid internal corrosion and possible failure.
5. Do not wear watches, rings bracelets or loose clothing when using air tools.

6. Using only light weight coil hoses from a tool to the wall or compressor coupling. Do not fit quick change couplings onto the machine as vibration can cause the coupling to fail.
7. Do not overload the machine. Allow the tool to operate at its optimum speed for maximum efficiency.
8. Do not increase the air pressure above the manufacturers recommended level, as excessive overload can cause the machine casing to split. Also this creates excessive wear on moving parts and possible failure.
9. In the interests of safety and possible damage to the machine/operator, always ensure that the machine has stopped before putting it down after use.
10. Always ensure that the work piece is firmly secured leaving both hands free to control the machine.
11. Always ensure that the accessories such as blades, discs, sockets, etc. are rated/designed for use with the machine. Also correctly and securely fastened before connecting the machine to the air supply.
12. When grinding, sanding or cutting always wear an appropriate face mask or respiratory equipment.

Operating Instruction

Description

Rugged Die-cast aluminum body for durable using, Ergonomic rubber grip is available for comfortable using, Built-in regulator for positive speed control, Screened inlet to prevent dirt particles from entering air intake, Ideal for smoothing concrete, removing burrs from metal and for finishing weld seams etc, Side exhaust;

Air supply

1. Ensure tool air valve (or trigger) is in the "off" position before connecting to the air supply.
2. You will require an air pressure of 90psi, and an air flow according to specification.
3. **WARNING!** Ensure the air supply is clean and does not exceed 90psi while operating the wrench. Too high an air pressure and unclean air will shorten the product life due to excessive wear, and may be dangerous causing damage and/or personal injury.
4. Drain the air tank daily. Water in the air line will damage the wrench.
5. Clean air inlet filter weekly. Recommended hook-up procedure is shown in fig 1.
6. Line pressure should be increased to compensate for unusually long air hoses (over 8 metres). The minimum hose diameter should be 1/4" I.D. and fittings must have the same inside dimensions.
7. Keep hose away from heat, oil and sharp edges. Check hose for wear, and make certain that all connections are secure.

Lubrication

An automatic in-line filter-regulator-lubricator is recommended (Fig4) as it increases tool life and keeps the tool in sustained operation. The in-line lubricator should be regularly checked and filled with air tool oil.

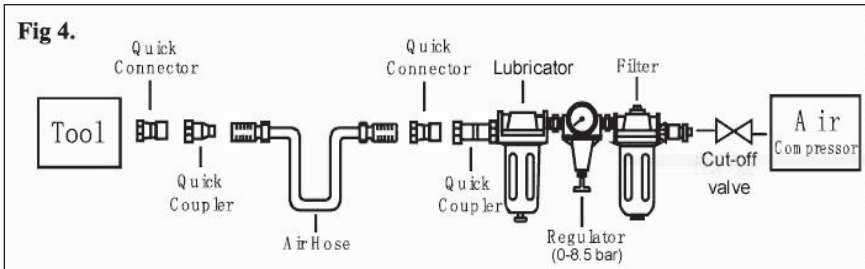
Proper adjustment of the in-line lubricator is performed by placing a sheet of paper next to the exhaust ports and holding the throttle open approximately 30 seconds. The lubricator is properly set when a light stain of oil collects on the paper. Excessive amounts of oil should be avoided.

In the event that it becomes necessary to store the tool for an extended period of time (overnight, weekend, etc.), it should receive a generous amount of lubrication at that time. The tool should be run for approximately 30 seconds to ensure oil has been evenly distributed throughout the tool. The tool should be stored in a clean and dry environment.

- It is most important that the tool be properly lubricated by keeping the air line lubricator filled and correctly adjusted. Without proper lubrication the tool will not work properly and parts will wear prematurely.
- Use the proper lubricant in the air line lubricator. The lubricator should be of low air flow or changing air flow type, and should be kept filled to the correct level. Use only recommended lubricants, specially made for pneumatic applications. Substitutes may harm the rubber compounds in the tools O-rings and other rubber parts.

IMPORTANT!!!

If a filter/regulator/lubricator is not installed on the air system, air operated tools should be lubricated at least once a day or after 2 hours work with 2 to 6 drops of oil, depending on the work environment, directly through the male fitting in the tool housing.



Loading and operation

⚠ WARNING: Ensure you read, understand and apply safety instructions before use.

1. Connect the air tool to the air hose .
 2. Press the trigger to operate the tool.
 3. The flow of air may be regulated by adjusting flow valve at the base of the handle.
 4. Ensure the air supply is clean and does not exceed 90psi while operating the tool. Too high an air pressure and unclean air will shorten the product life due to excessive wear, and may be dangerous causing damage or personal injury.
 5. Make children away from the tool and workplaces when using the tools.
- DO NOT use any additional force upon the tool.
DO NOT allow tool to free run for an extended period of time as this will shorten its life.

⚠ WARNING: Disconnect wrench from air supply before changing accessories, servicing or performing maintenance. Replace or repair damaged parts. *Use genuine parts only. Non-authorized parts may be dangerous and will invalidate the warranty.*

1. Lubricate the air sander daily with a few drops of air tool oil dripped into the air inlet

2. Clean the tool after use. DO NOT use worn, or damaged tool.

3. Loss of power or erratic action may be due to the following:

a) Excessive drain on the air line. Moisture or restriction in the air pipe. Incorrect size or type of hose connectors. To remedy check the air supply .

b) Grit or gum deposits in the tool may also reduce performance. If your model has an air strainer (located in the area of the air inlet), remove the strainer and clean it.

5. When not in use, disconnect from air supply, clean tool and store in a safe, dry, childproof location.

Trouble Shooting

The following form lists the common operating system with problem and solutions. Please read the form carefully and follow it.

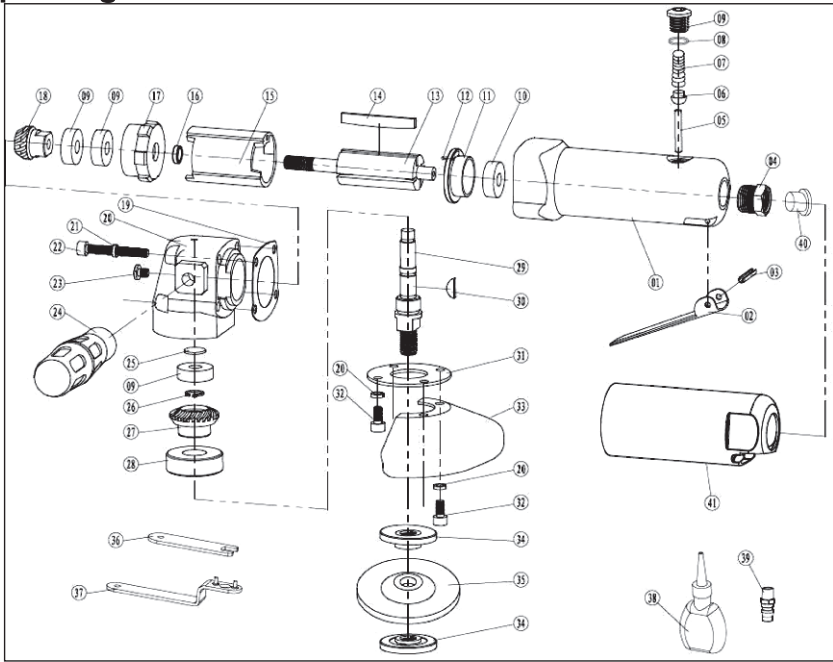
⚠ WARNING: If any of the following symptoms appears during your operating, stop using the tool immediately, or serious personal injury could result. Only a qualified persons or an authorized service center can perform repairs or replacement of tool.

Disconnect tool from air supply before attempting repair or adjustment. When replacing O-rings or Cylinder, lubricate with air tool oil before assembly.

PROBLEMS	POSSIBLE CAUSES	REMEDIES
Tool runs at normal speed but loses under load	<ul style="list-style-type: none">■ Motor parts worn.■ Cam clutch worn or sticking due to lack of lubricant.	<ul style="list-style-type: none">■ Lubricating clutch housing.■ Check for excess clutch oil. Clutch cases need only be half full. Overfilling can cause drag on high speed clutch parts, ie. a typical oiled/lubricated wrench requires 1/2 ounce of oil. <p>GREASE LUBRICATED:NOTE: Heat usually indicates insufficient grease in chamber. Severe operating conditions may require more frequent lubrication.</p>

Tool runs slowly. Air flows slightly from exhaust	<ul style="list-style-type: none"> ■ Motor parts jammed with dirt particles ■ Power regulator in closed position ■ Air flow blocked by dirt. 	<ul style="list-style-type: none"> ■ Check air inlet filter for blockage. ■ Pour air tool lubricating oil into air inlet as per instructions. ■ Operate tool in short bursts quickly reversing rotation back and forth where applicable. ■ Repeat above as needed. If this fails return to service centre.
Tools will not run. Air flows freely from exhaust	<ul style="list-style-type: none"> ■ One or more motor vanes stuck due to material build up. 	<ul style="list-style-type: none"> ■ Pour air tool lubricating tool into air inlet. ■ Operate tool in short bursts of forward and/or reverse rotation where applicable. ■ Tap motor housing gently with plastic mallet. ■ Disconnect supply. Free motor by rotating drive shank manually where applicable ■ If tool remains jammed return to service centre.
Tool will not shut off	<ul style="list-style-type: none"> ■ 'O' rings throttle valve dislodged from seat inlet valve. 	<ul style="list-style-type: none"> ■ Replace 'O' ring or return to service centre.
<p>Note: Repairs should be carried out by a qualified person.</p>		

Exploding view & Parts list



NO	Description	Qty	NO	Description	Qty	NO	Description	Qty
1	Gun Body	1	15	Cylinder	1	29	Anvil	1
2	Trigger	1	16	Rotor Washer	1	30	Semicircular Bond	1
3	Pin 3 X 24	1	17	Front Cap	1	31	Washer	1
4	Air Inlet	1	18	Positive curved Gears	1	32	Bolts	4
5	Pin	1	19	Seal Washer	1	33	Protecting Cover	1
6	Pin Knob	1	20	Head Cap	1	34	Flange	2
7	Compressed Spring	1	21	Spring Washer	8	35	Grinding disc	1
8	O-ring 11.2*1.5	1	22	Hex Bolt	4	36	Wrench	1
9	Bolts	1	23	Bolts	1	37	Wrench	1
10	deep groove ball bearing 608Z	4	24	Handle	1	38	Oil pot	1
11	End Cap	2	25	Washer	1	39	Connector	1
12	Pin	1	26	Retainer Washer	1	40	Dust cap	1
13	Rotor	1	27	Transmission Gears	1	41	handle sheath	1
14	Rotor Blades	4	28	deep groove ball bearing 6202Z	1			

If you need spare parts of this model, pls feel free to contact us or the distributor where you bought this tool.
Tks!

Polymak[®]

Solutions Provider For Industry & Trade

Polymak Tools(India)Pvt.Ltd

**186/187, P.H Road,Alsa Towers,Kilpauk,
Chennai - 600 010.**

Tel. :+91-44-48631869

E-mail : info@polymak.co.in

Visit us at : www.polymak.co.in