

Polymak[®]

16V CORDLESS TOOLS

PM-CDD-16V-2BL

INSTRUCTION MANUAL



Read and follow all safety precautions in instruction manual.

Charge

Before using the electric screwdriver, please according to the following method to charge the battery.

1. Plug the battery charger into the appropriate AC voltage power supply. The charging indicator light will be green.
2. The positive negative pole of the battery box is marked on the same side if the battery pack with the corresponding electrode on the charger.
3. When the battery box is inserted at the end of the charger, the charger indicator light will be turned into red, and the charging process will be charged. Has-been kept stable light state.
4. When the charging indicator lights from red to green, said charging cycle is completed.
5. After charging, please unplug the power plug from the power supply.

Be careful:

* Battery charger is only supplied to the battery box of the original plant, do not use it for other purposes or use it to other manufacturers of batteries. When charging the new battery pack for a long time, it may not be enough.

* If you have just used the tool or a long time in the direct sunlight or heat source near the charge of the battery charging, charging indicator light will be lit and green will not change color. At this point, please wait a moment, when the battery box cooling will start charging.

Operation

Operation of the screw

Be careful

Adjustment ring, so that the torque size to meet the needs of your operation, the drill tip top in the screw head and the trigger of the drill pressure, slowly starting electric drill, then gradually increase the speed. Release the trigger when the clutch is closed.

Must be sure that the screw drill is inserted into the screw drill is inserted into the screw in a vertical way, otherwise the screw or the drill may be damaged.

Remarks

When the screw is tightened, the first one with a middle hole can be drilled to make it easier and easier to operate and prevent the slide of the workpiece. The size of the reference.

Drilling operation

First, trust the adjustment ring, so that the pointer at the mark, and then, according to the following steps.

Drill holes in metal

At the beginning of the drilling, in order to prevent bit skidding. Available a sharp punch and hammer on the mater plate to boring place to make a mark in mind. Then the drill tip is drilled into the drill hole in the mark. Please use cutting oil when drilling the metal. But steel and brass are exceptional, should be dry drilling.

Be careful

Too much grip too; can not accelerate the drilling speed. This excessive pressure can only play a role in damage to the tip of the drill, not conducive to the operation of tools, reduce the tool's life. In the whole when drilling through, will produce the force / impact tool bit. So when the drill bit began to hold workpiece, tool and be careful.

When the drill bit is stuck, it only needs to put the reverse switch on the reverse rotation position, and then back down, you can take out. However, if you do not hold the tool, the tool may suddenly quit. When the processing .work is very small, must use a vise or other clamping of the clamping tool.

SAFETY WARNINGS

General power tool safety warnings

Save all warnings and instructions for future reference.

The term "power tool" in the warnings refers to your mains-operated (corded) power tool or battery-operated (cordless) power tool.

Work area safety

1. Keep work area clean and well lit. Cluttered or dark areas invite accidents.

2. **Do not operate power tools in explosive atmospheres, such as in the presence of flammable liquids, gases or dust.** Power tools create sparks which may ignite the dust or fumes.
- 3 **Keep children and bystanders away while operating a power tool.** Distractions can cause you to lose control.

Electrical Safety

1. **Power tool plugs must match the outlet. Never modify the plug in any way. Do not use any adapter plugs with earthed (grounded) power tools.** Unmodified plugs and matching outlets will reduce risk of electric shock.
2. **Avoid body contact with earthed or grounded surfaces, such as pipes, radiators, ranges and refrigerators.** There is an increased risk of electric shock if your body is earthed or grounded.
3. **Do not expose power tools to rain or wet conditions.** Water entering a power tool will increase the risk of electric shock.
4. **Do not abuse the cord. Never use the cord for carrying, pulling or unplugging the power tool. Keep cord away from heat, oil, sharp edges or moving parts.** Damaged or entangled cords increase the risk of electric shock.
5. **When operating a power tool outdoors, use an extension cord suitable for outdoor use.** Use of a cord suitable for outdoor use reduces the risk of electric shock.
6. **If operating a power tool in a damp location is unavoidable, use a residual current device (RCD) protected supply.** Use of an RCD reduces the risk of electric shock.
7. **Power tools can produce electromagnetic fields (EMF) that are not harmful to the user.** However, users of pacemakers and other similar medical devices should contact the maker of their device and/ or doctor for advice before operating this power tool.

Personal Safety

1. **Stay alert, watch what you are doing and use common sense when operating a power tool. Do not use a power tool while you are tired or under the influence of drugs, alcohol or medication.** A moment of inattention while operating power tools may result in serious personal injury.
2. **Use personal protective equipment. Always wear eye protection.** Protective equipment such as a dust mask, non-skid safety shoes, hard hat or hearing protection used for appropriate conditions will reduce personal injuries.
3. **Prevent unintentional starting. Ensure the switch is in the off-position before connecting to power source and/or battery pack, picking up or carrying the tool.** Carrying power tools with your finger on the switch or energising power tools that have the switch on invites accidents.
4. **Remove any adjusting key or wrench before turning the power tool on.** A wrench or a key left attached to a rotating part of the power tool may result in personal injury.
5. **Do not overreach. Keep proper footing and balance at all times.** This enables better control of the power tool in unexpected situations.
6. **Dress properly. Do not wear loose clothing or jewellery. Keep your hair and clothing away from moving parts.** Loose clothes, jewellery or long hair can be caught in moving parts.

If devices are provided for the connection of dust extraction and collection facilities, ensure these are connected and properly used. Use of dust collection can reduce dust-related hazards.

Power tool use and care

1. **Do not force the power tool. Use the correct power tool for your application.** The correct power tool will do the job better and safer at the rate for which it was designed.
2. **Do not use the power tool if the switch does not turn it on and off.** Any power tool that cannot be controlled with the switch is dangerous and must be repaired.
3. **Disconnect the plug from the power source and/or remove the battery pack, if detachable, from the power tool before making any adjustments, changing accessories, or storing power tools.** Such

preventive safety measures reduce the risk of starting the power tool accidentally.

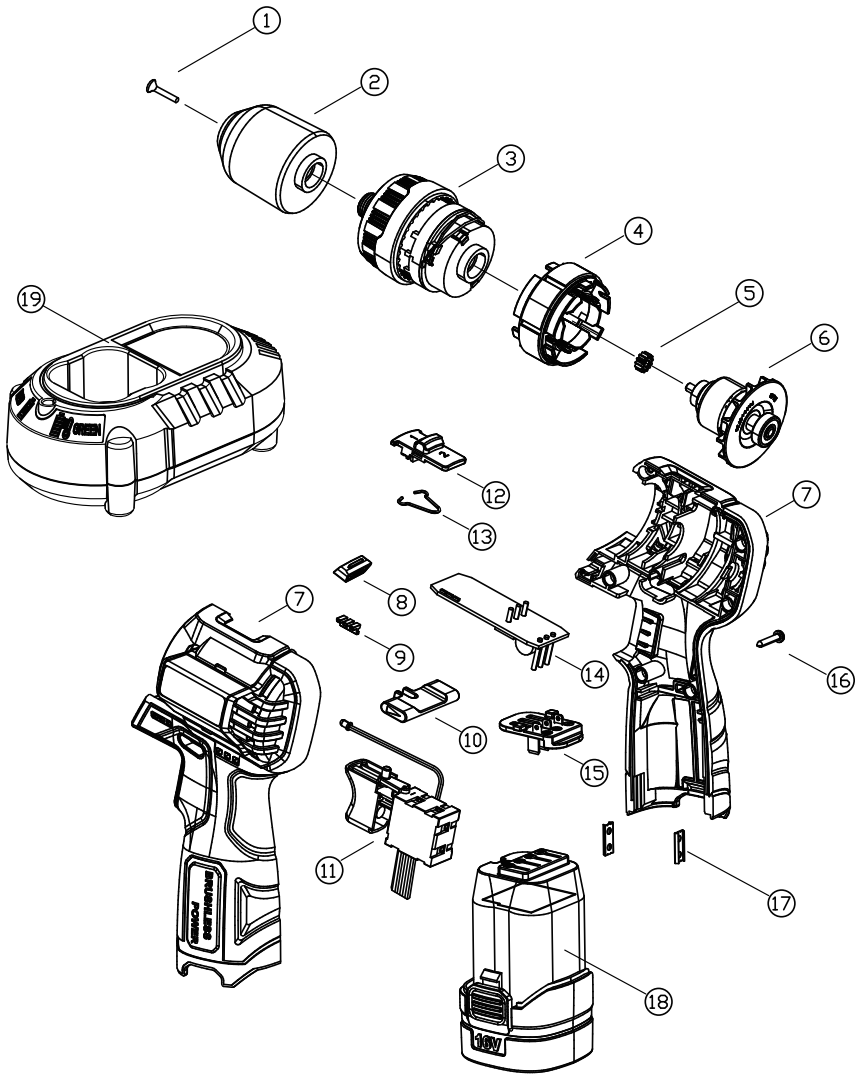
4. **Store idle power tools out of the reach of children and do not allow persons unfamiliar with the power tool or these instructions to operate the power tool.** Power tools are dangerous in the hands of untrained users.
5. **Maintain power tools and accessories. Check for misalignment or binding of moving parts, break- age of parts and any other condition that may affect the power tool's operation. If damaged, have the power tool repaired before use.** Many accidents are caused by poorly maintained power tools.
6. **Keep cutting tools sharp and clean.** Properly maintained cutting tools with sharp cutting edges are less likely to bind and are easier to control.
7. **Use the power tool, accessories and tool bits etc. in accordance with these instructions, taking into account the working conditions and the work to be performed.** Use of the power tool for operations different from those intended could result in a hazardous situation.
8. **Keep handles and grasping surfaces dry, clean and free from oil and grease.** Slippery handles and grasping surfaces do not allow for safe handling and control of the tool in unexpected situations.
9. **When using the tool, do not wear cloth work gloves which may be entangled.** The entanglement of cloth work gloves in the moving parts may result in personal injury.

Battery tool use and care

1. **Recharge only with the charger specified by the manufacturer.** A charger that is suitable for one type of battery pack may create a risk of fire when used with another battery pack.
2. **Use power tools only with specifically designated battery packs.** Use of any other battery packs may create a risk of injury and fire.
3. **When battery pack is not in use, keep it away from other metal objects, like paper clips, coins, keys, nails, screws or other small metal objects, that can make a connection from one terminal to another.** Shorting the battery terminals together may cause burns or a fire.
4. **Under abusive conditions, liquid may be ejected from the battery; avoid contact. If con- tact accidentally occurs, flush with water. If liquid contacts eyes, additionally seek medical help.** Liquid ejected from the battery may cause irritation or burns.
5. **Do not use a battery pack or tool that is dam- aged or modified.** Damaged or modified batteries may exhibit unpredictable behaviour resulting in fire, explosion or risk of injury.
6. **Do not expose a battery pack or tool to fire or excessive temperature.** Exposure to fire or temperature above 130 °C may cause explosion.
7. **Follow all charging instructions and do not charge the battery pack or tool outside the temperature range specified in the instructions.** Charging improperly or at temperatures outside the specified range may damage the battery and increase the risk of fire.

Service

1. **Have your power tool serviced by a qualified repair person using only identical replacement parts.**
This will ensure that the safety of the power tool is maintained.
2. **Never service damaged battery packs.** Service of battery packs should only be performed by the manufacturer or authorized service providers.
3. **Follow instruction for lubricating and changing accessories.**



ITEM	DESCRIPTION	QTY	ITEM	DESCRIPTION	QTY
1	M6 * 21 screw	1	11	Switch	1
2	Drill Chuck	1	12	Shift block	1
3	Gear box	1	13	Shift block wire	1
4	Rotor	1	14	control board	1
5	Motor gear	1	15	Pin	1
6	Stator	1	16	ST3 * 14 screws	8
7	Housing	1	17	Casing snap	2
8	Led light lamp	1	18	Battery pack	2
9	Light guide	1	19	charger	1
10	Forward / reverse shift	1			

Polymak[®]

Polymak Tools(India)Pvt.Ltd

186/187, P.H Road,Alsa Towers,Kilpauk,
Chennai – 600 010,

Tel. : +91-44-48631869

E-mail : info@polymak.co.in

Visit us at : www.polymak.co.in